

**Oakio Plastic Wood Building
Materials Co.,Ltd.**

36th floor, Building 3, Huamao Building, No.11
Wenchang 1st Road, Huizhou, Guangdong, China
Tel: +86 (752) 2222-845
Web:www.oakio.com
Email:info@oakio.com



V20220623

WPC Beam

Installation Guide



FIND
US ON

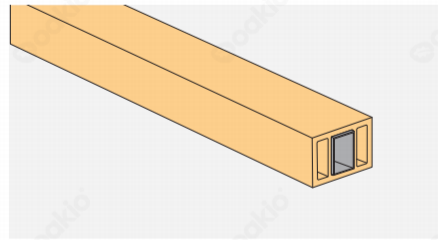


V20220623

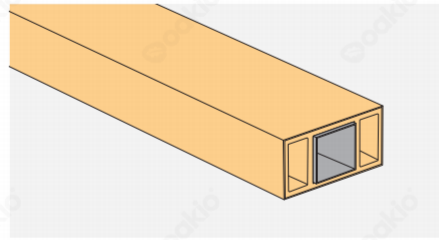
Matching Accessories

To get latest information,
please visit our website: www.oakio.com

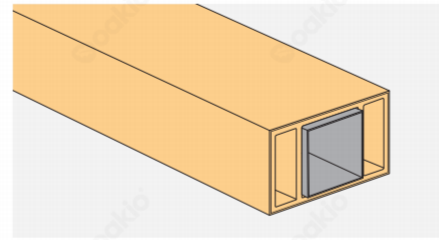
Beam Options



Code: PSM01
Size: 60 x 42mm

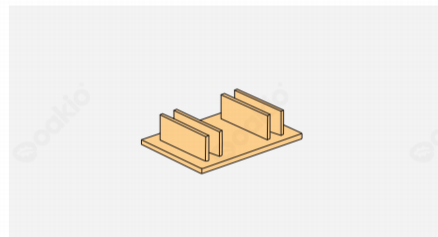


Code: PSM02
Size: 100 x 50mm

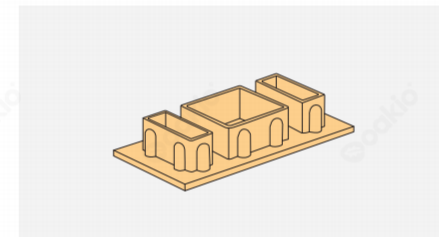


Code: PSM03
Size: 120 x 70mm

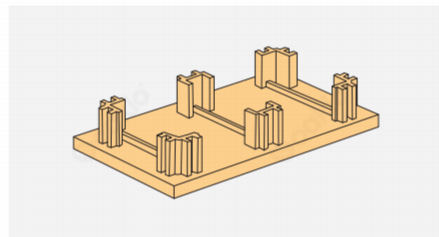
End-cap Options



End-cap for PSM01
Code: AP03
Size: 60 x 42mm

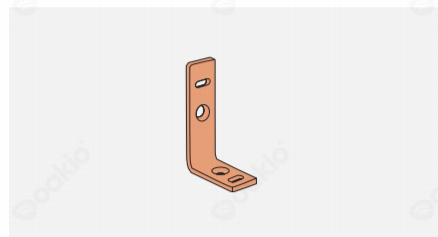


End-cap for PSM02
Code: AP04
Size: 100 x 50mm



End-cap for PSM03
Code: AP05
Size: 120 x 70mm

Clip Option



Code: AM23
Size: 50 x 30mm

Oakio Clip Installation Instructions

To get latest information,
please visit our website: www.oakio.com

Clip Introduction

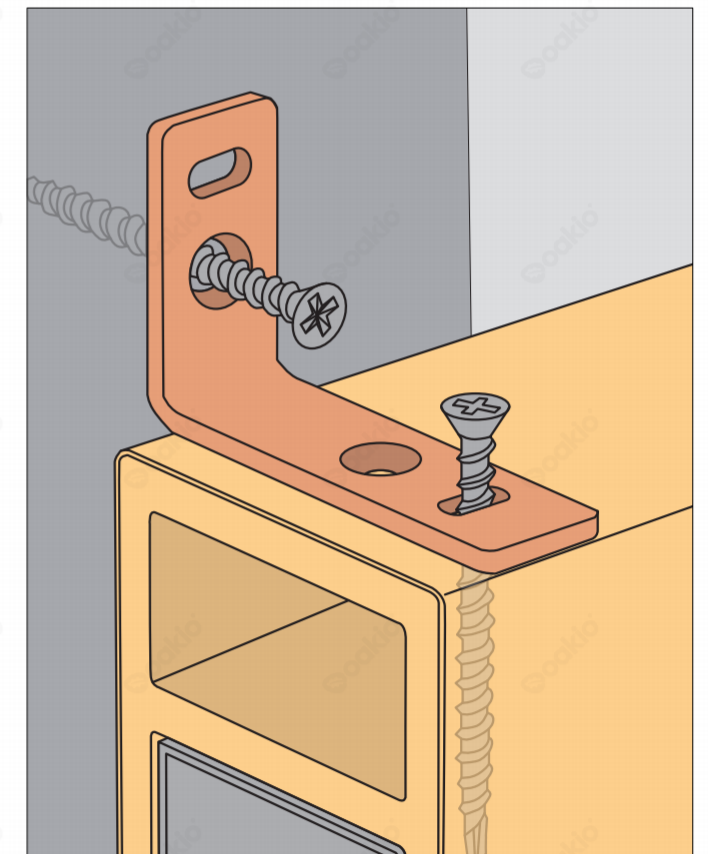
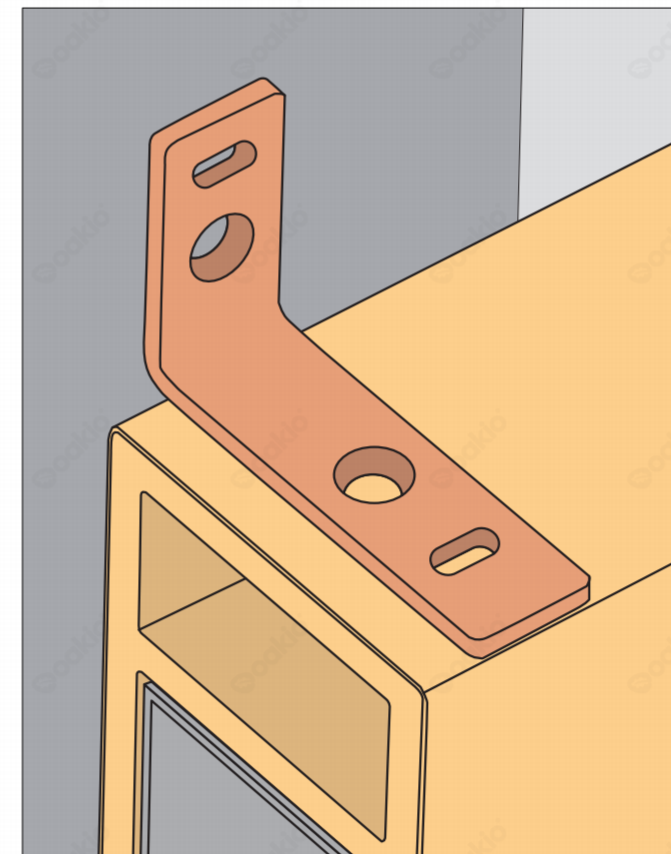
"L" shaped profile
304 stainless steel with powder coating
Available for vertical and horizontal installation
2 circle holes and 2 elliptical holes in one clip.

Circle Holes: Fix the clip to the wall or joist.
Elliptical Holes: Set the clip to the pre-drilled holes on the beam.
(They leave room for the beam to expand and contract.)

Clip Fixing & Spacing

Confirm which side of the clip is fixed on the keel and which side is fixed on the beam according to the actual situation.

The two sides of the "L"-shaped clip are fixed on the keel and on the beams respectively.



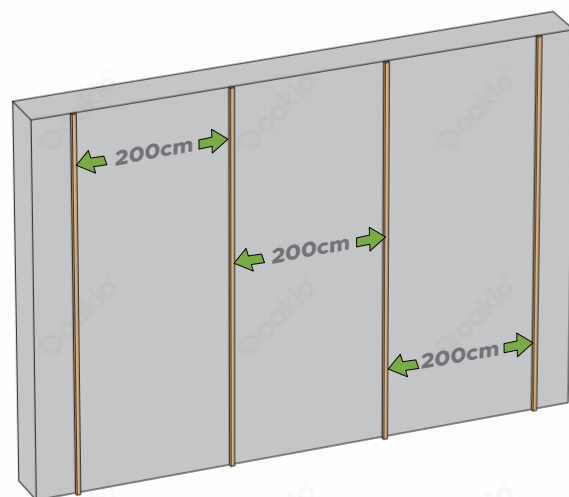
This installation guide uses the second beam model as an example to explain the installation steps in detail. The installation methods of different beam styles are basically the same. Even if you choose other beam styles, you can also refer to the installation steps below.

Horizontal installation

To get latest information, please visit our website: www.oakio.com

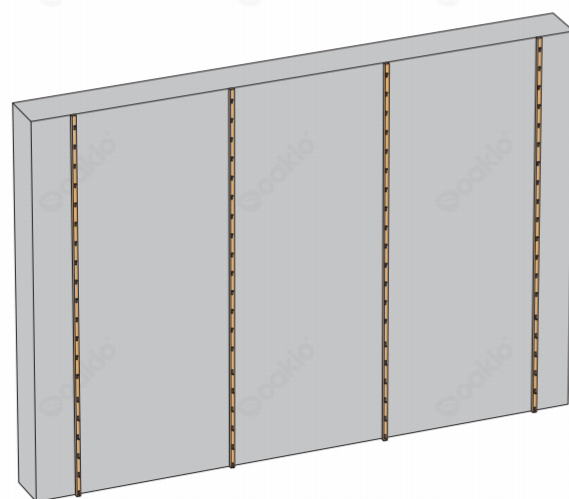
1 Keel Installation

Fix the keels to the wall with expansion bolts, and the distance between each keel should be less than **200cm**. Metal keels are recommended to enforce stability.



2 Clip Installation

Calculate the proper spacing and screw the clips to the keel.



Horizontal installation

To get latest information, please visit our website: www.oakio.com

2 - 1 Clip Direction

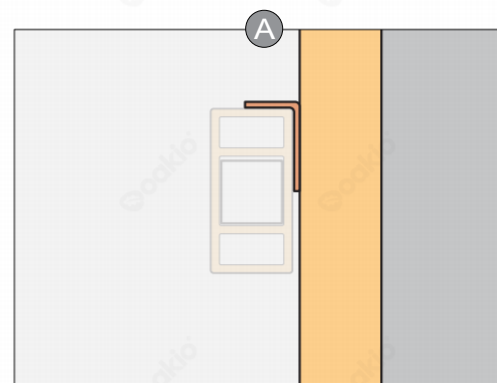
Taking the line of sight as the boundary, changing the direction of the clips can visually hide the clips and make the wall look neater.

A Above Eye Level



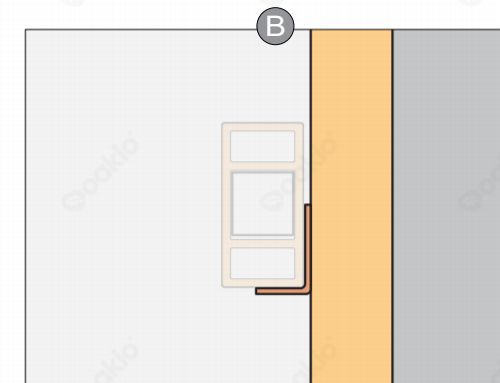
Take the line of sight range of **1.6-1.8 meters** as an example.

B Below Eye Level



Above Eye Level:

To install the clips at the top of the beams.



Below Eye Level:

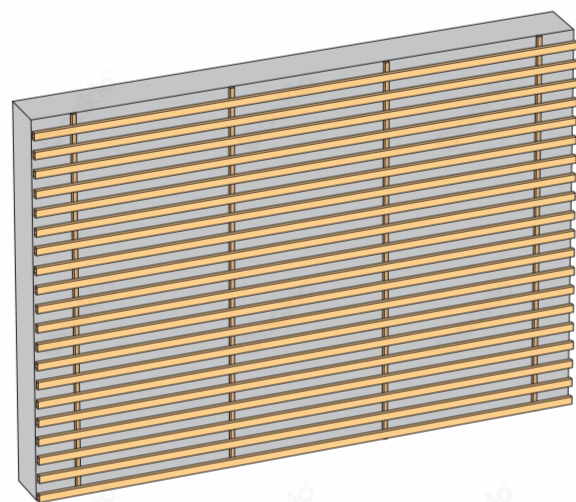
To install the clips at the bottom of the beams.

Horizontal installation

To get latest information, please visit our website: www.oakio.com

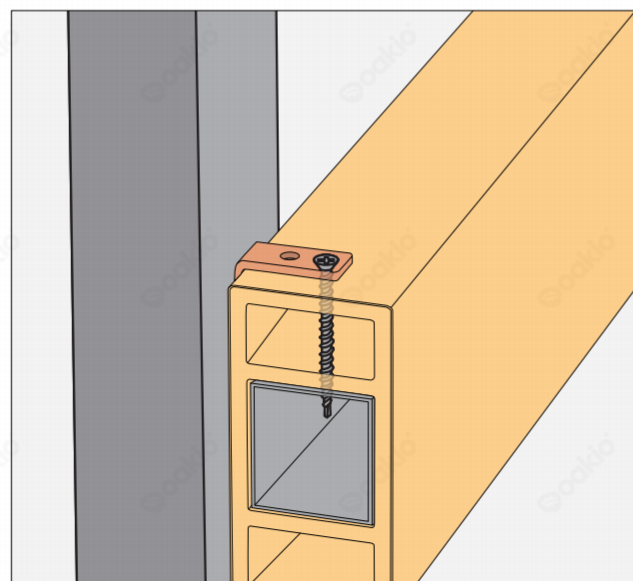
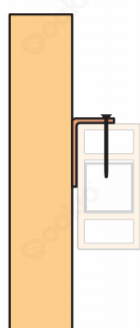
3 Beam Installation

Place the beam at the right angle of the clip and fasten it to the clip with screw (Beams need to be pre-drilled before they can be screwed on).



3 - 1 Nailing

There are metal tubes inserted in the middle of the beams for reinforcement, so when nailing, the screws should pass through the beams and the metal pipe at the same time.



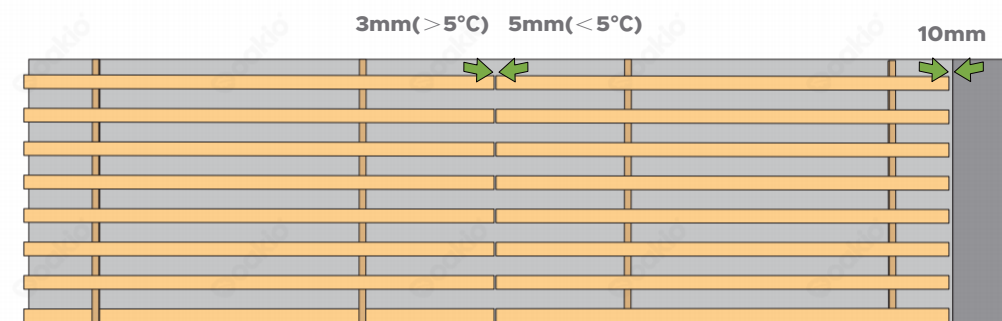
Horizontal installation

To get latest information, please visit our website: www.oakio.com

3 - 2 Expansion Gap

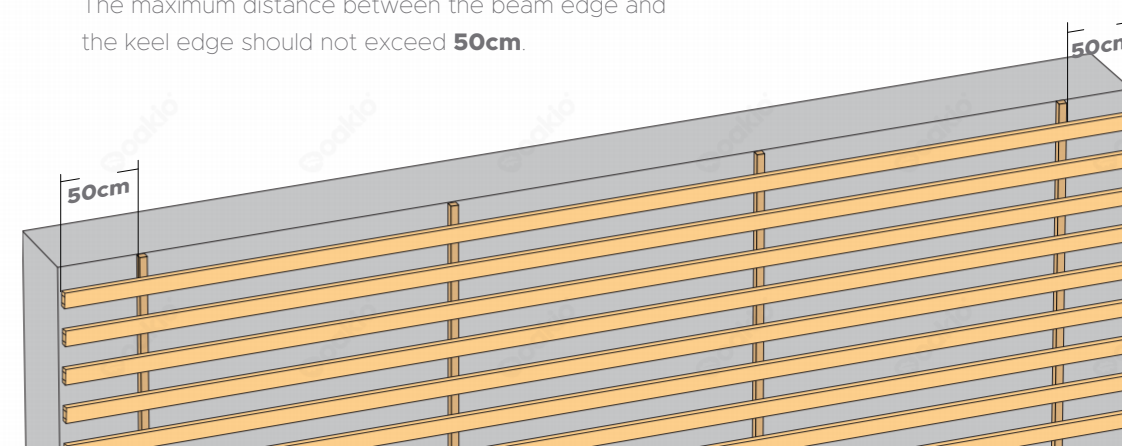
Whether it is horizontal or vertical, gaps need to be reserved between 2 ends of beams to prevent beams from cracking due to thermal expansion and contraction. If the local temperature is **higher than 5°C** when installing beams, the gap should be **3mm**; if it is **lower than 5°C**, it should be **5mm**.

Besides, leave a gap of **10mm** between a beam and all types of obstacles encountered (carpentry, wall, angle, etc.)



3 - 3 Overhang

The maximum distance between the beam edge and the keel edge should not exceed **50cm**.

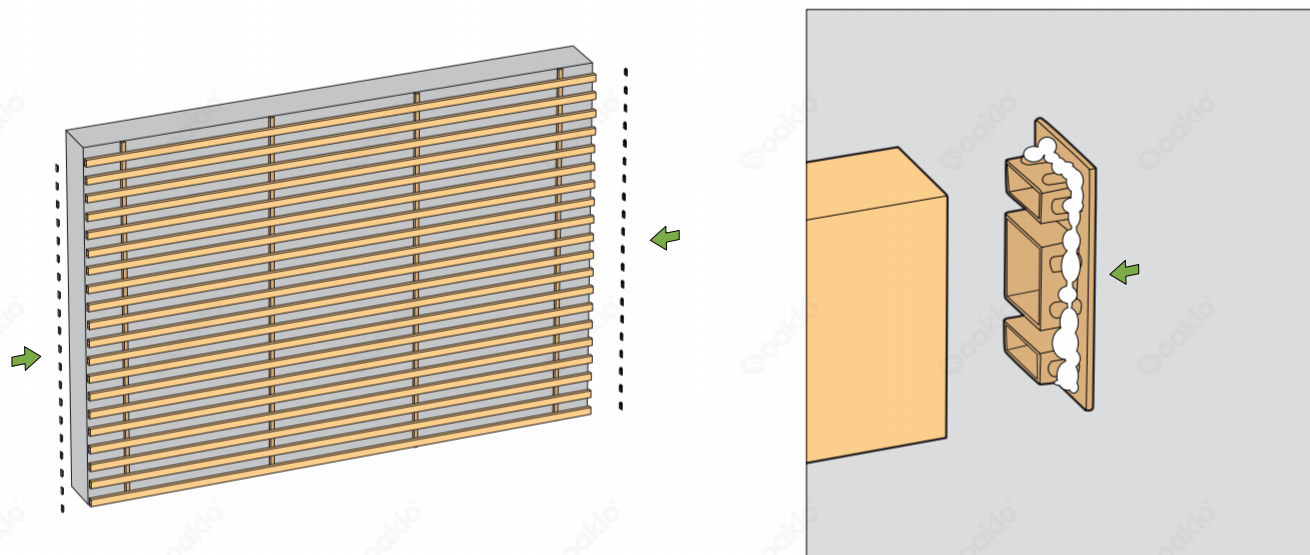


Horizontal installation

To get latest information, please visit our website: www.oakio.com

4 Cap Installation

Close off both ends of the hollow beams by snapping matching color end-cap with silicon glue.

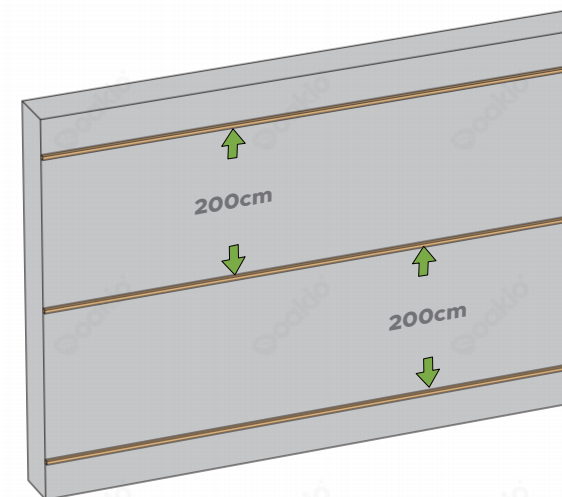


Vertical Installation

To get latest information, please visit our website: www.oakio.com

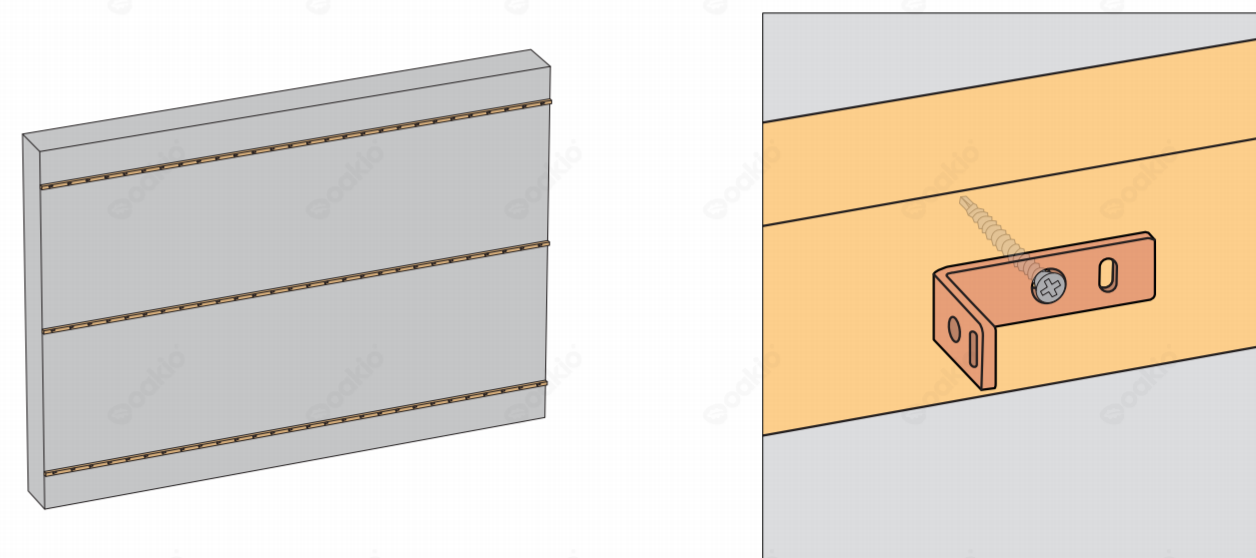
1 Keel Installation

Fix the keels to the wall with expansion bolts, and the distance between each keel should be less than **200cm**. Metal keels are recommended to enforce stability.



2 Clip Installation

Calculate the proper spacing and screw the clips to the keel.

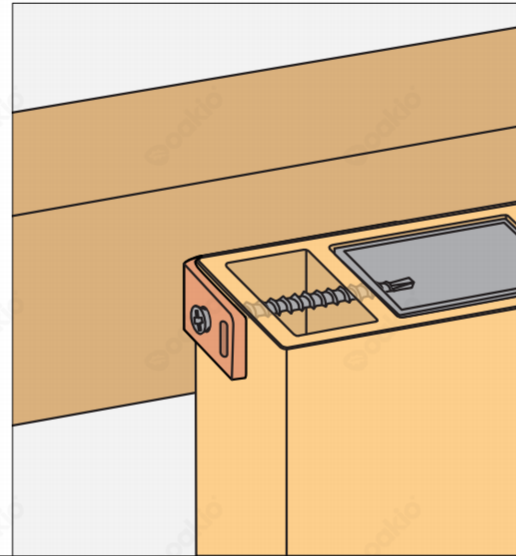
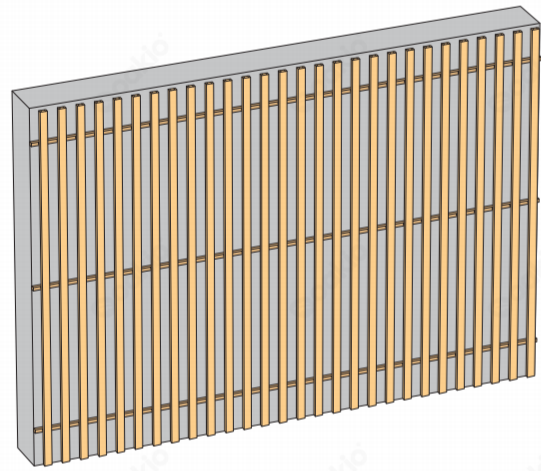


Vertical Installation

To get latest information,
please visit our website: www.oakio.com

3 Beam Installation

Place the beam at the right angle of the clip and fasten it to the clip with screw (Beams need to be pre-drilled before they can be screwed on).



4 Cap Installation

Close off both ends of the hollow beams by snapping matching color end-cap with silicon glue.

