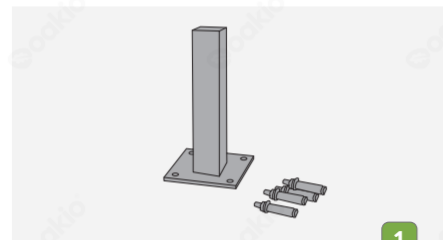
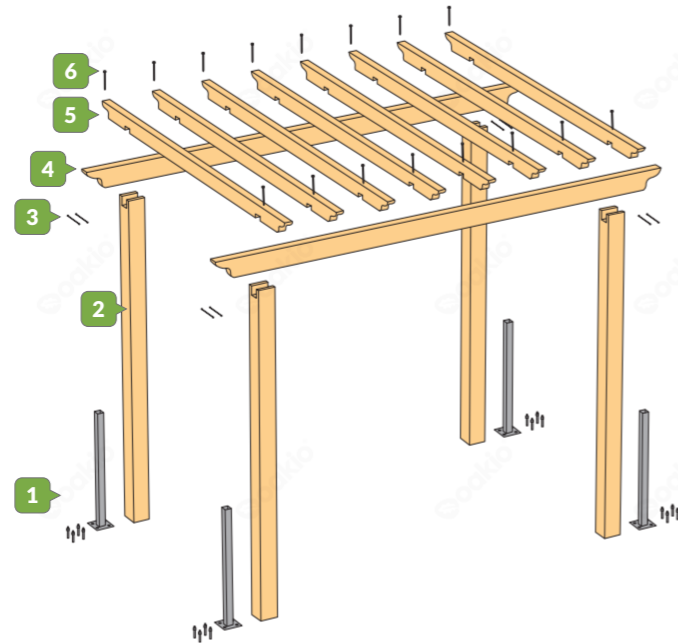


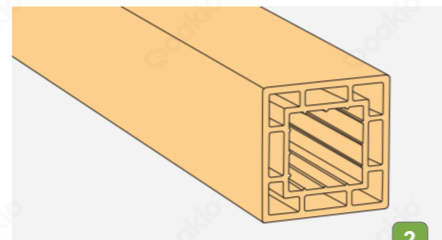
Read All Section Before You Install

To get latest information, please visit our website: www.oakio.com

Matching Accessories



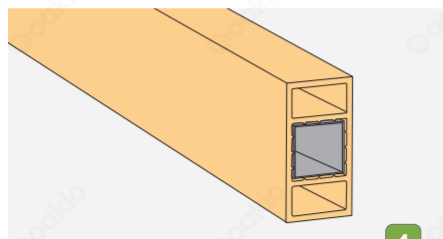
Post Mount
Quantity: 4 pieces
Size: 60x60x1000mm



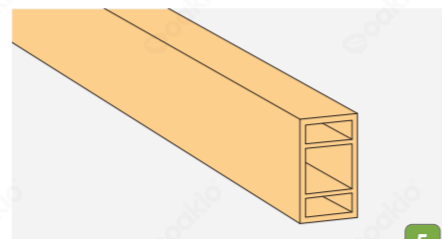
WPC Post
Quantity: 4 pieces
Size: 150x150x2800mm



Piercing Bolt
Quantity: 8 pieces



WPC Beam
Quantity: 2 pieces
Size: 160x80x4000mm



WPC Blade
Quantity: 8 pieces
Size: 120x70x3000mm



Self Drilling Screw
Quantity: 16 pieces

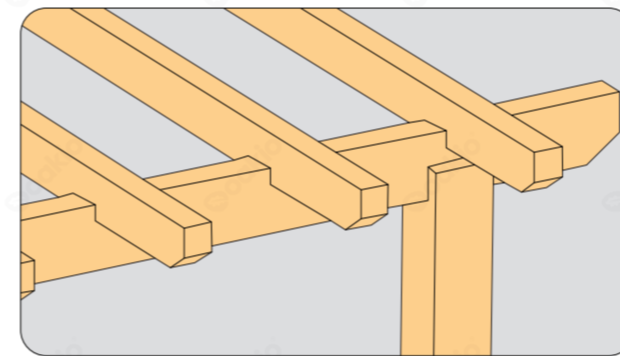
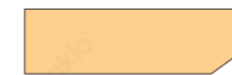
Oakio Pergola Installation Instructions

To get latest information, please visit our website: www.oakio.com

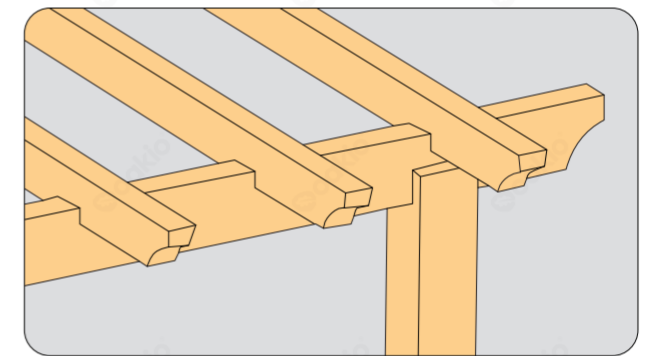
Oakio WPC pergola has four blade styles, each of which has a fixed shape and does not require customer reprocessing.

This installation guide uses the third blade model as an example to explain the installation steps in detail. The installation methods of different blade styles are basically the same. Even if you choose other blade styles, you can also refer to the installation steps below.

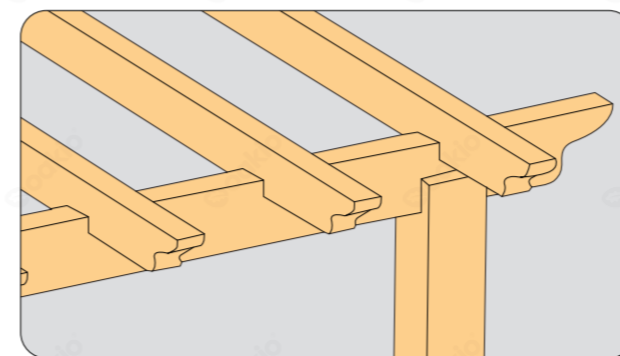
Shape Options 01



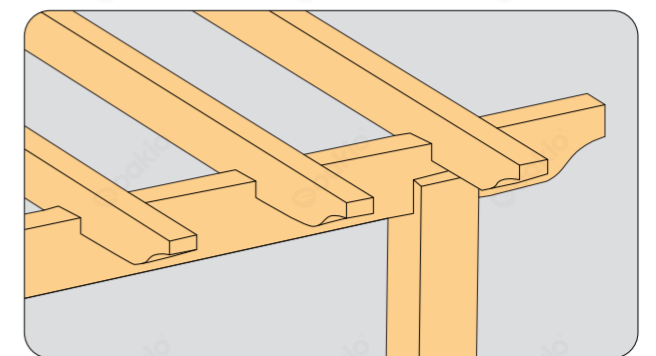
Shape Options 02



Shape Options 03



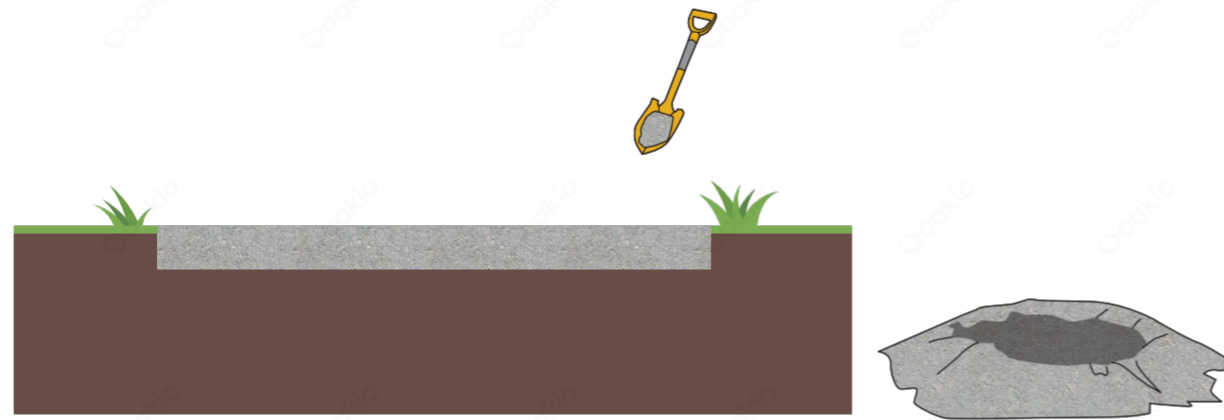
Shape Options 04



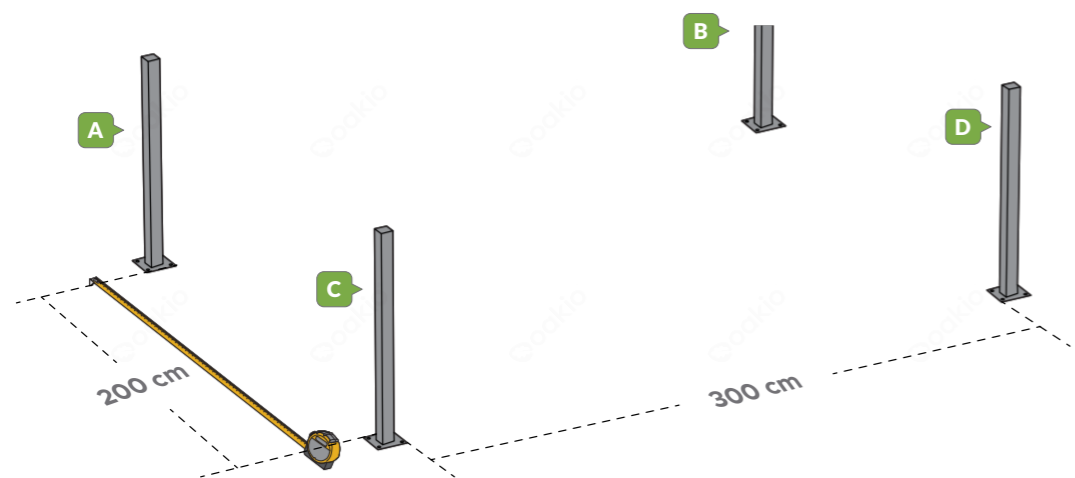
Oakio Pergola Installation Instructions

To get latest information,
please visit our website: www.oakio.com

- 1 Stabilize soil by using cement. Stabilization will result in strengths much stronger than the original soils.



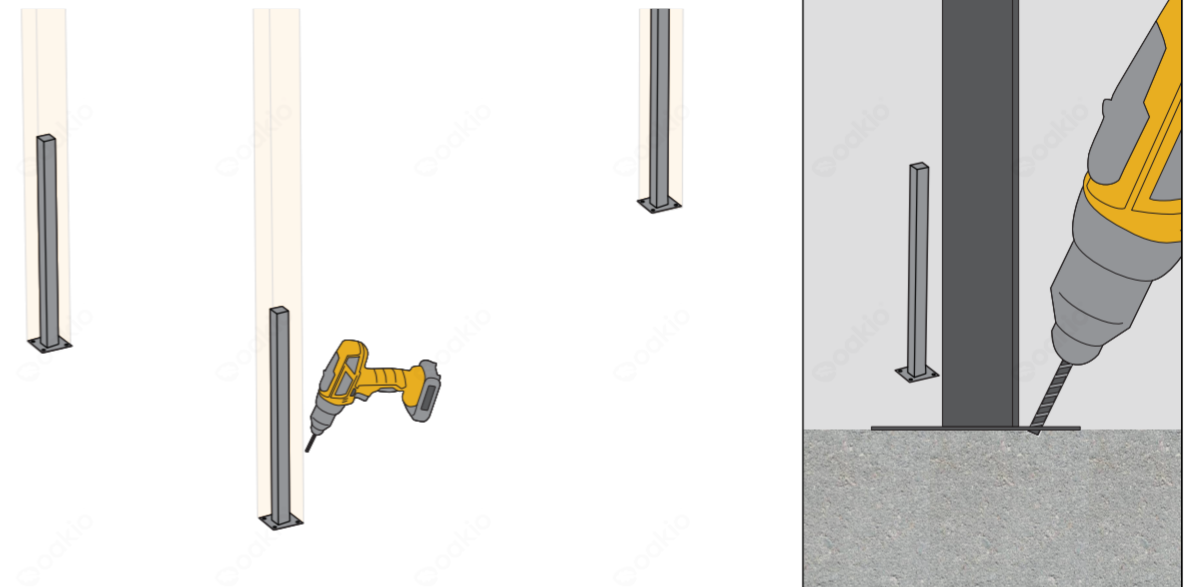
- 2 Determine the location of the first post as **A**. Mark the position 300cm horizontally from **A** as **B**. And then mark the position 200cm vertically from **A** as **C**. Finally, mark the position of **D** at the vertical 200cm of **B**.



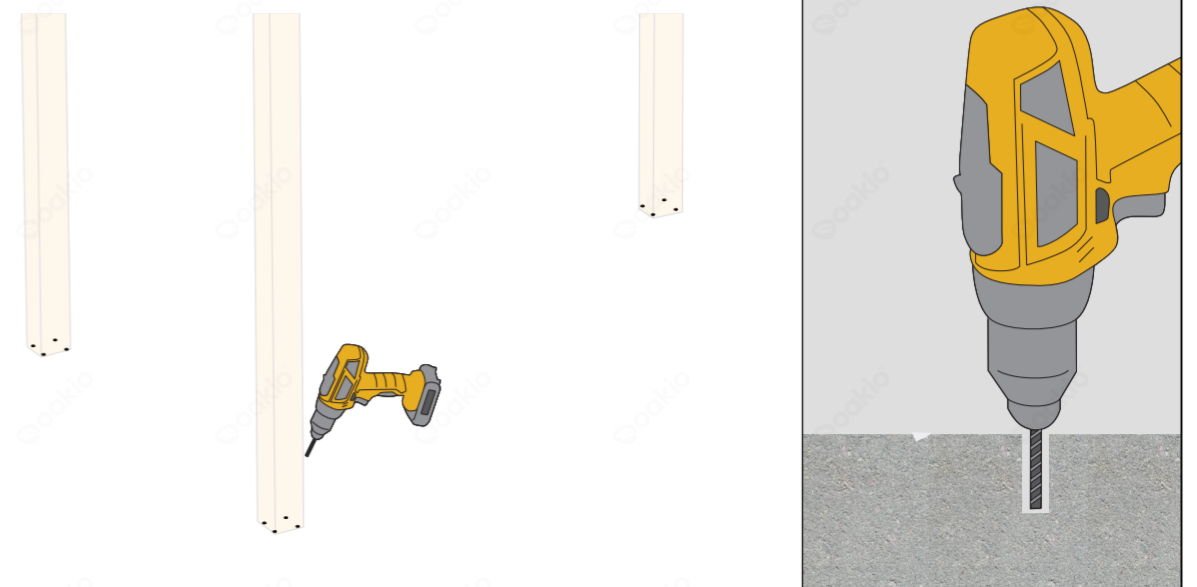
Oakio Pergola Installation Instructions

To get latest information,
please visit our website: www.oakio.com

- 3 Mark the screw holes at the bottom of each post.



- 4 Create screw holes by using a percussion drill on the cement ground according to the marked screw holes.



Oakio Pergola Installation Instructions

To get latest information,
please visit our website: www.oakio.com

- 5 Fix the post mounts on the cement ground with expansion screws. Hammer expansion screws with a hammer.



- 6 Take a spanner to tighten the nut of the expansion screw.



Oakio Pergola Installation Instructions

To get latest information,
please visit our website: www.oakio.com

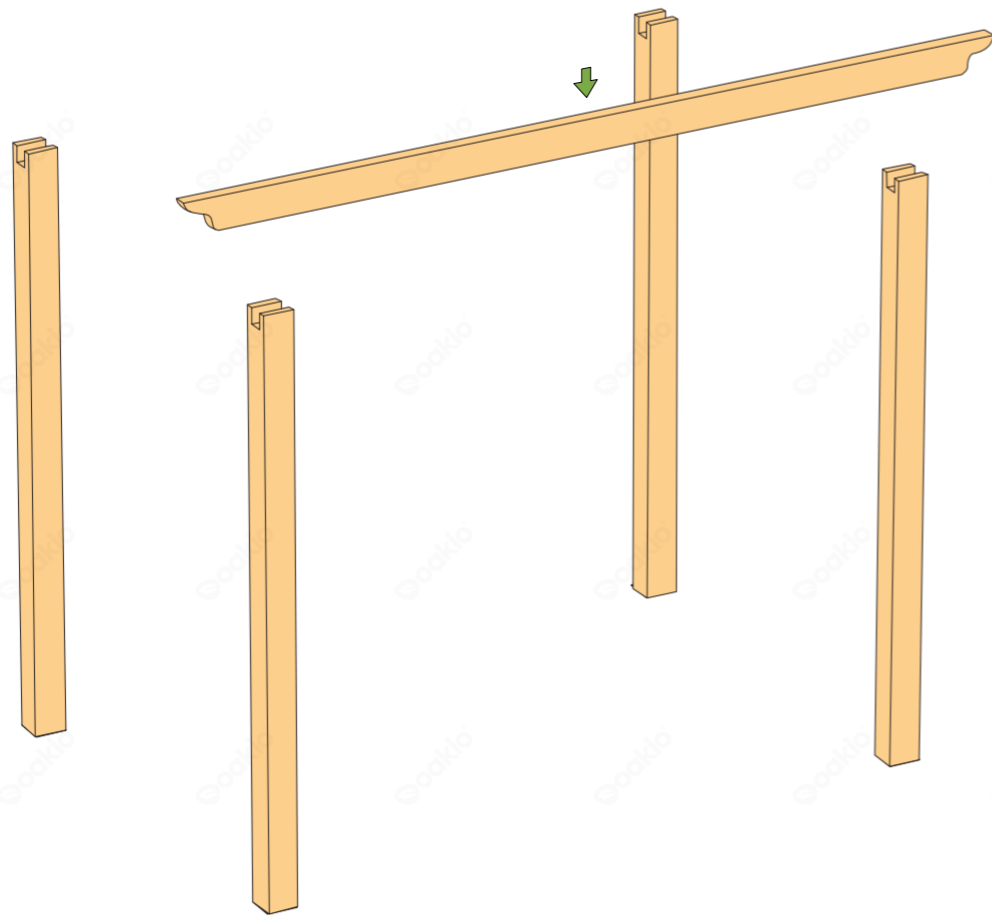
- 7 Insert the WPC post. Be sure that it is completely vertical and straight.



Oakio Pergola Installation Instructions

To get latest information,
please visit our website: www.oakio.com

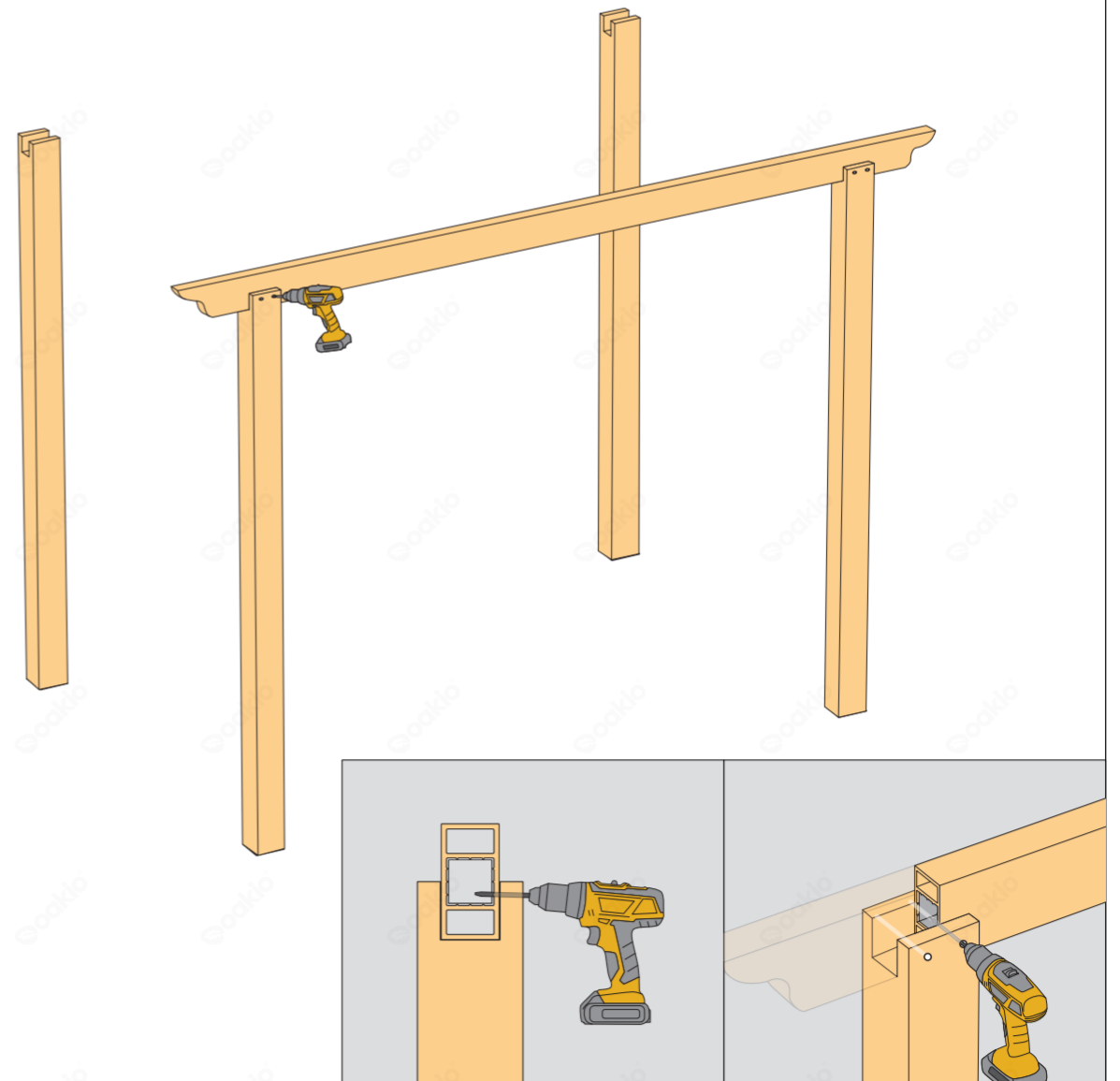
- 8 Insert the beam into the slot at the top of the post. Adjust the position of the beam so that both ends are 35cm exceed the bottom two posts.



Oakio Pergola Installation Instructions

To get latest information,
please visit our website: www.oakio.com

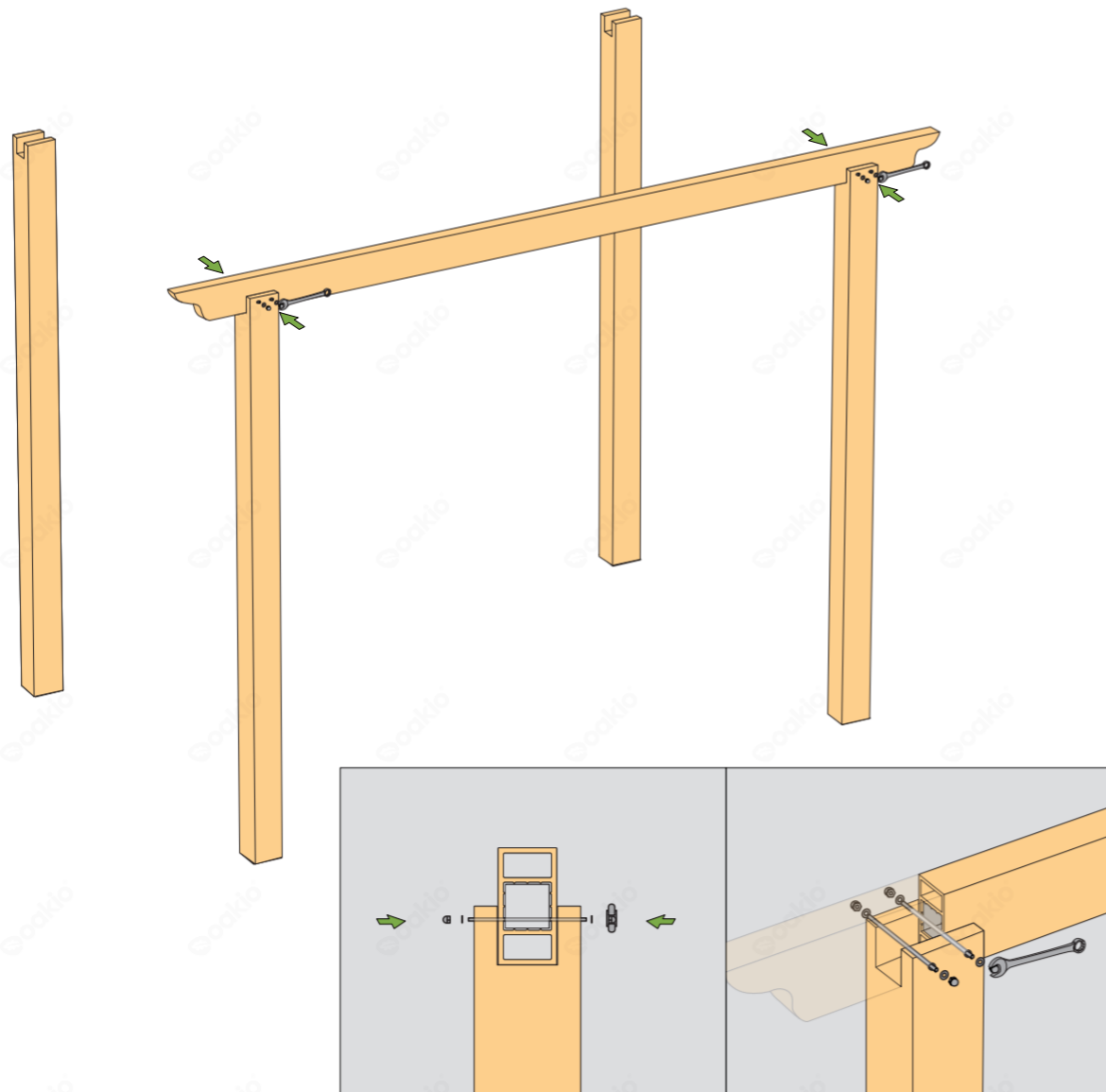
- 9 Drill two holes 2-4cm from the top of the post. These two holes need to go through the post, the beam, and the steel in the center of the beam at the same time.



Oakio Pergola Installation Instructions

To get latest information,
please visit our website: www.oakio.com

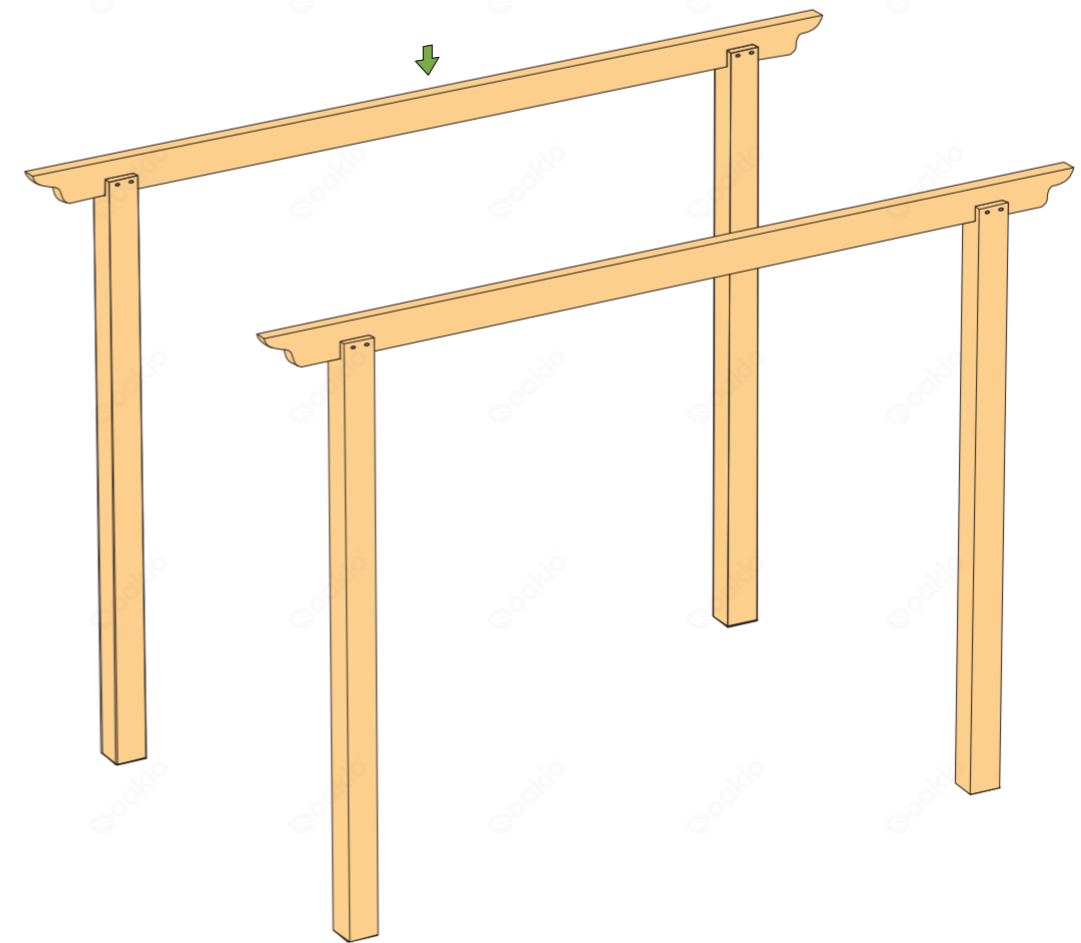
10 Thread the two piercing bolts through the two holes in the post to secure the post and beam.



Oakio Pergola Installation Instructions

To get latest information,
please visit our website: www.oakio.com

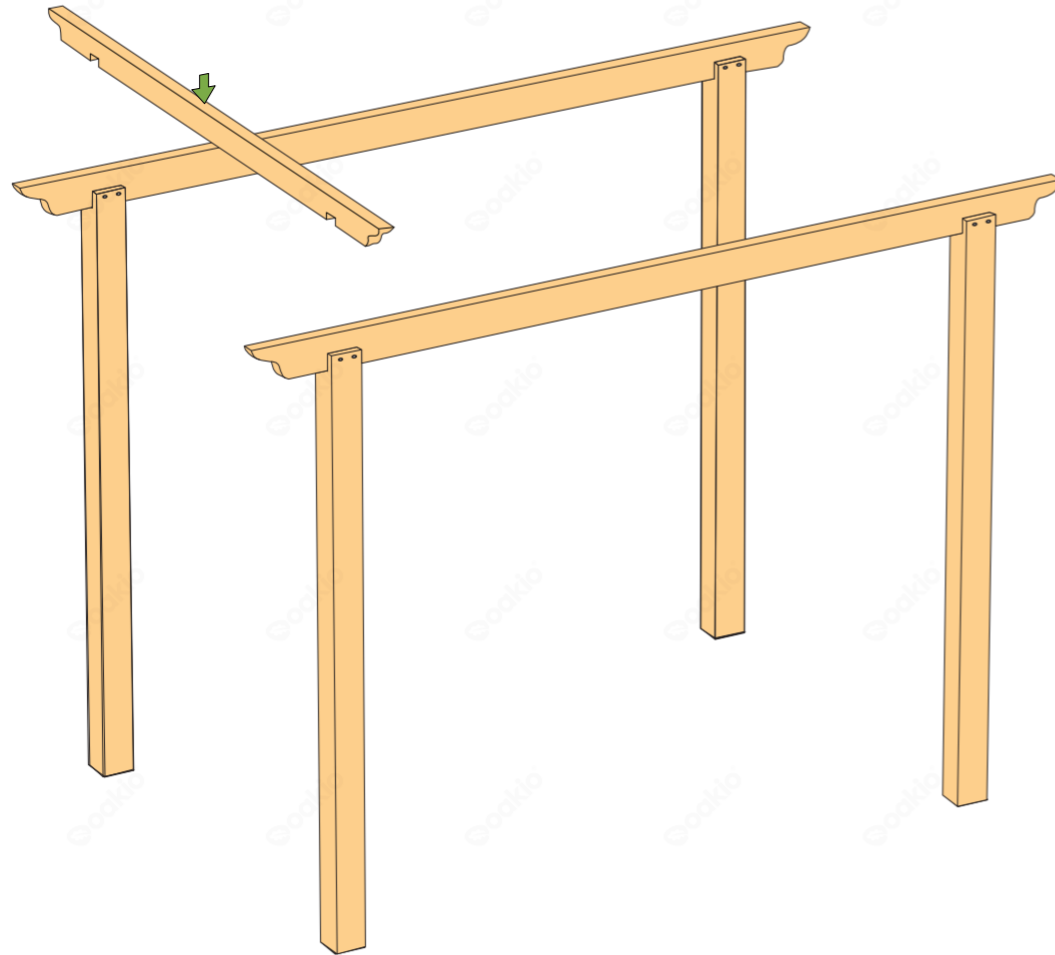
11 Repeat steps 9 to 10 to complete the installation of another beam.



Oakio Pergola Installation Instructions

To get latest information,
please visit our website: www.oakio.com

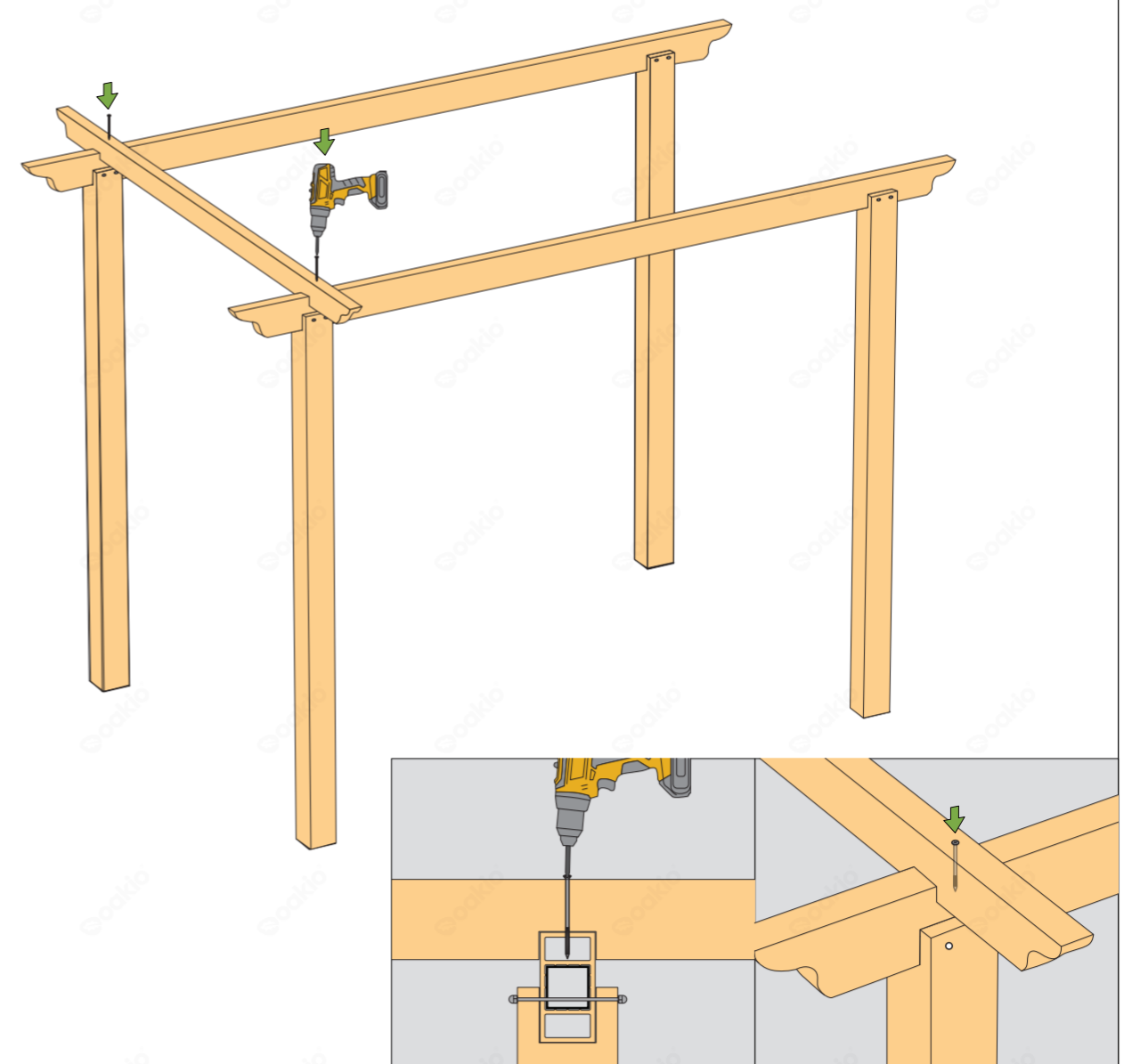
12 Insert the slots on both ends of the blades into the top of the beams.



Oakio Pergola Installation Instructions

To get latest information,
please visit our website: www.oakio.com

13 Place the self drilling screw in the center of the blade slot. Drill it into the blade and beam with a power drill.



Oakio Pergola Installation Instructions

To get latest information,
please visit our website: www.oakio.com

- 14 Repeat steps 13 and 14 to complete the installation of other blades. The spacing between each blade is 38cm.

