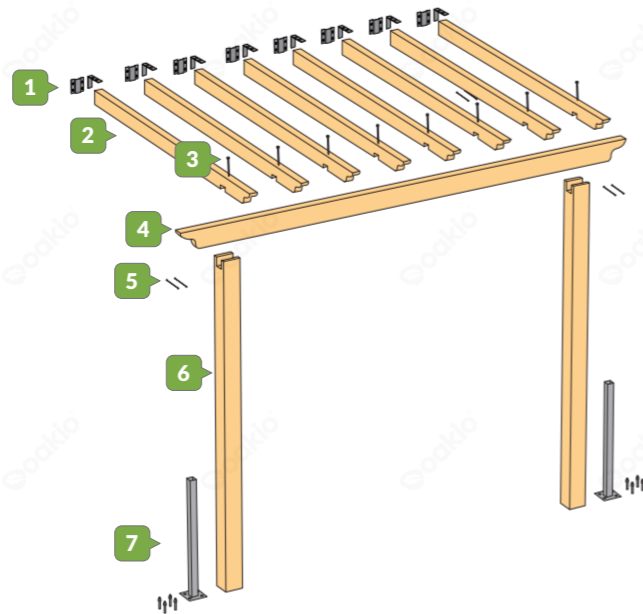


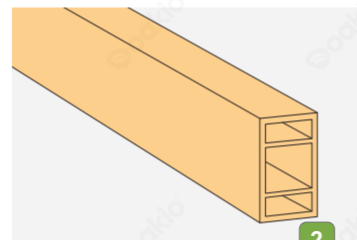
Oakio Pergola Installation Instructions

To get latest information,
please visit our website: www.oakio.com

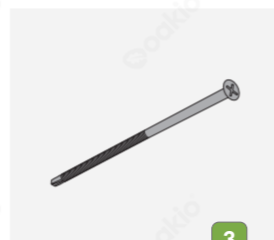
Matching Accessories



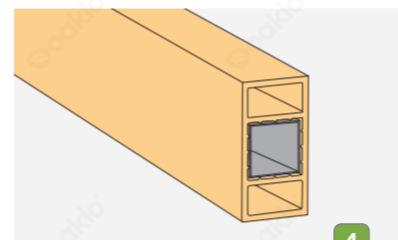
Clips
Quantity: 8 pieces



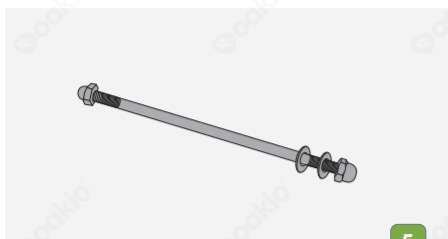
WPC Blade
Quantity: 8 pieces
Size: 120x70
(The length can be customized)



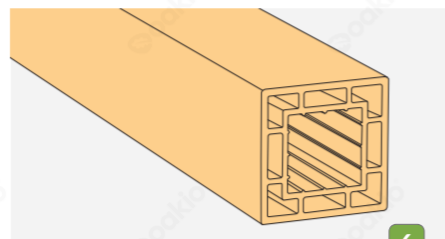
Self Drilling Screw
Quantity: 8 pieces



WPC Beam
Quantity: 1 pieces
Size: 160x80x4000mm



Piercing Bolt
Quantity: 4 pieces
Size: 160x80x4000mm



WPC Post
Quantity: 2 pieces
Size: 150x150x2800mm



Post Mount
Quantity: 2 pieces
Size: 60x60x1000mm

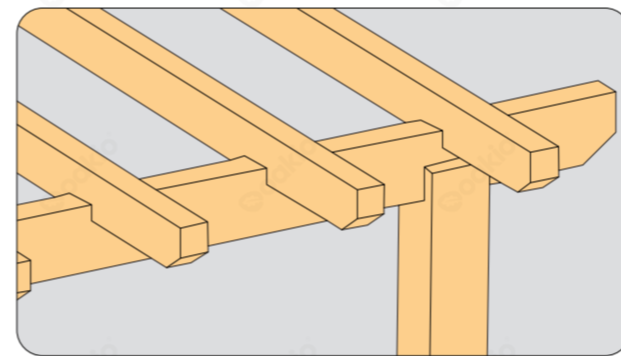
Oakio Pergola Installation Instructions

To get latest information,
please visit our website: www.oakio.com

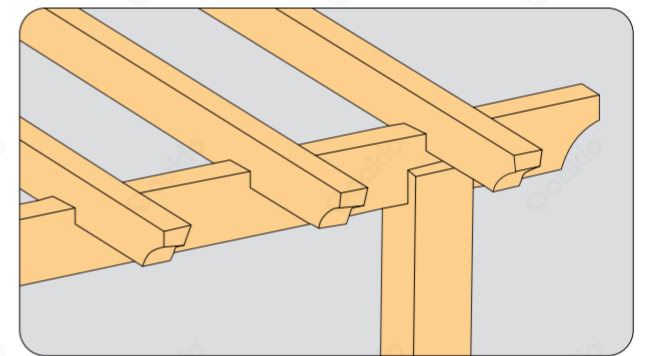
Oakio WPC pergola has four blade styles, each of which has a fixed shape and does not require customer reprocessing.

This installation guide uses the third blade model as an example to explain the installation steps in detail. The installation methods of different blade styles are basically the same. Even if you choose other blade styles, you can also refer to the installation steps below.

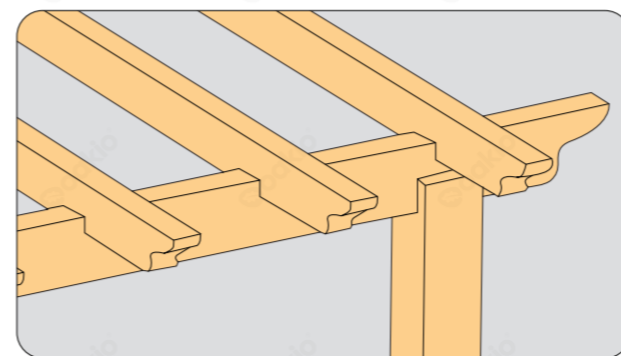
Shape Options 01



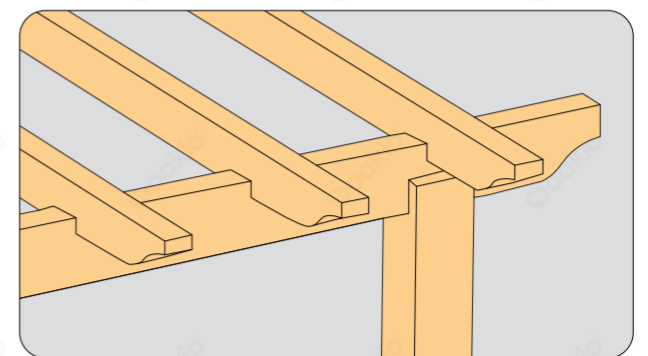
Shape Options 02



Shape Options 03



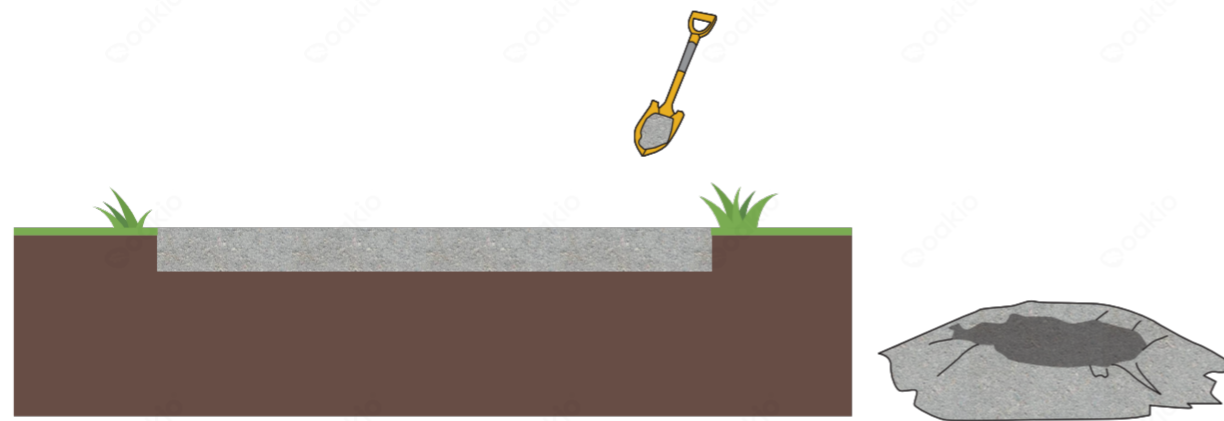
Shape Options 04



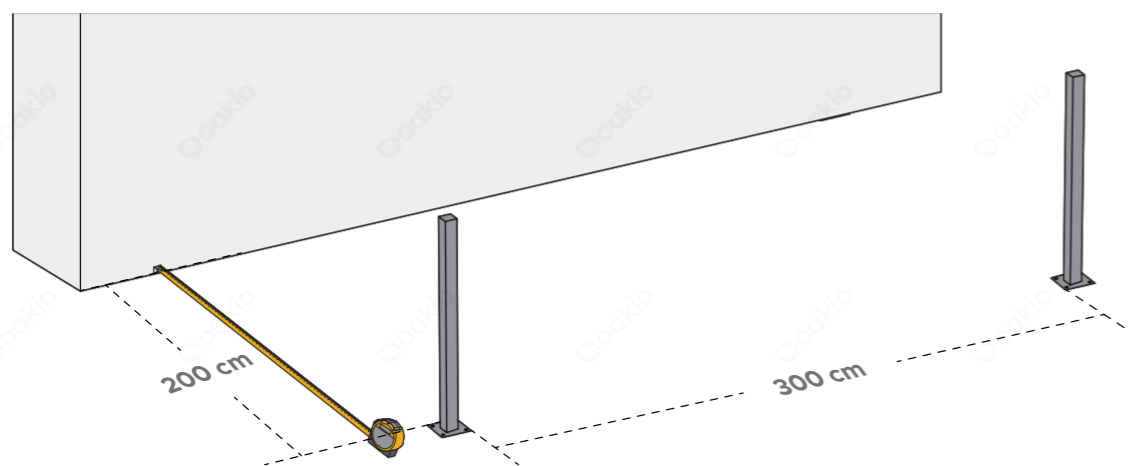
Oakio Pergola Installation Instructions

To get latest information,
please visit our website: www.oakio.com

- 1 Stabilize soil by using cement. Stabilization will result in strengths much stronger than the original soils.



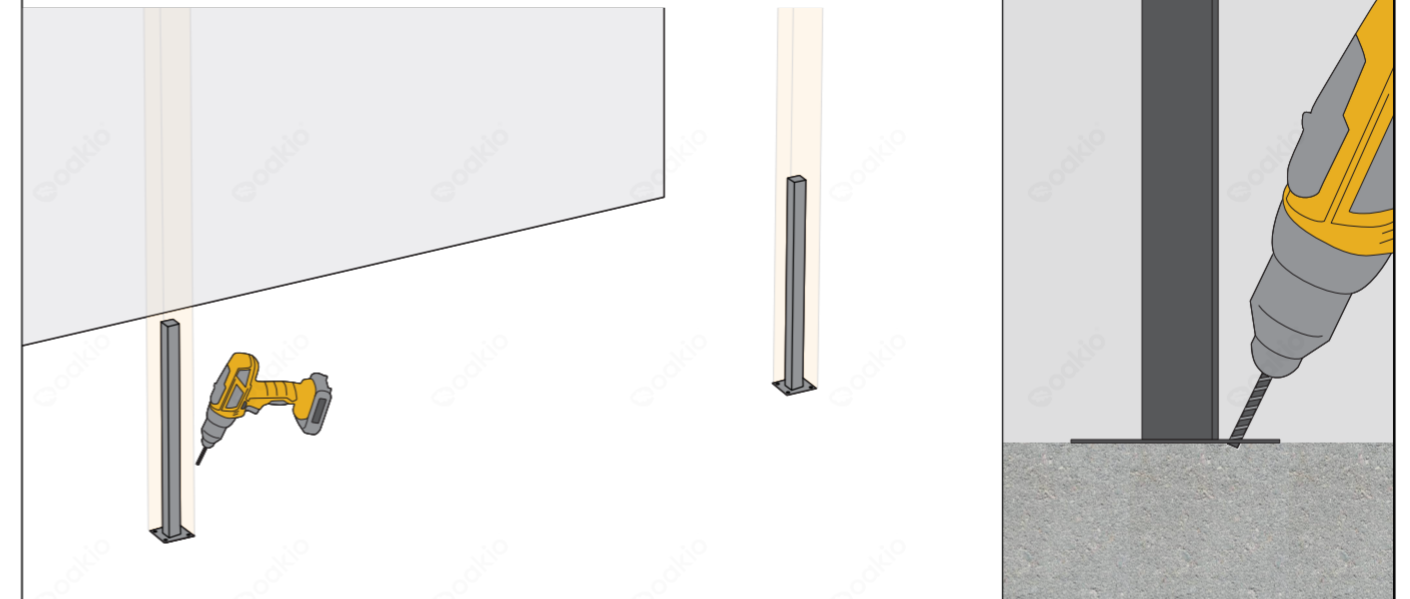
- 2 Place the first post at a vertical distance of **200cm** from the wall. The second post was placed **300cm** horizontally from the first post.



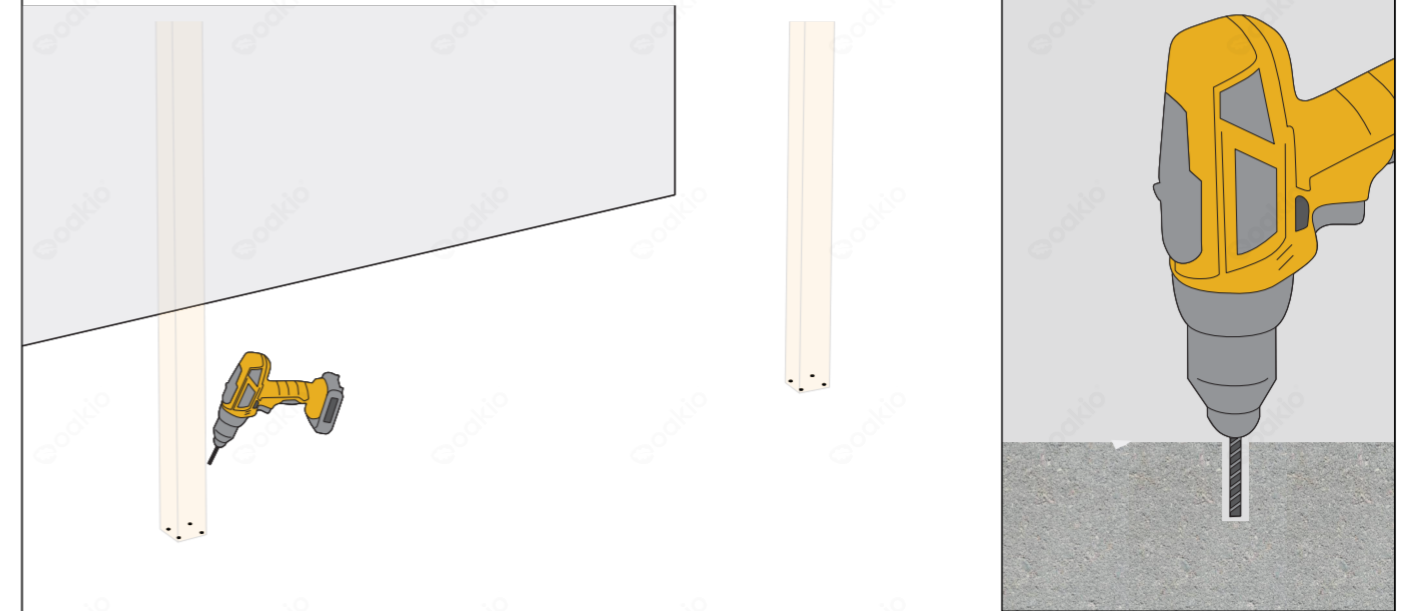
Oakio Pergola Installation Instructions

To get latest information,
please visit our website: www.oakio.com

- 3 Mark the screw holes at the bottom of each post.



- 4 Create screw holes by using a percussion drill on the cement ground according to the marked screw holes.



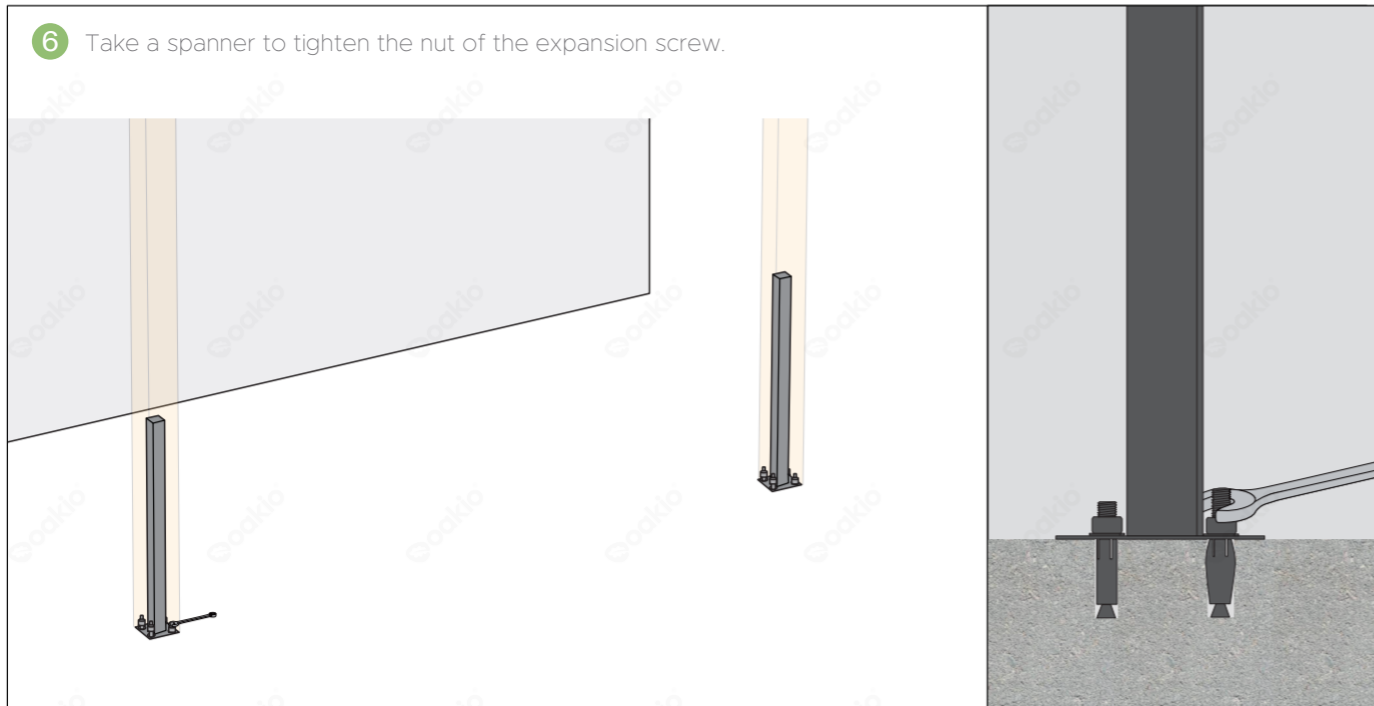
Oakio Pergola Installation Instructions

To get latest information,
please visit our website: www.oakio.com

- 5 Fix the post mounts on the cement ground with expansion screws. Hammer expansion screws with a hammer.



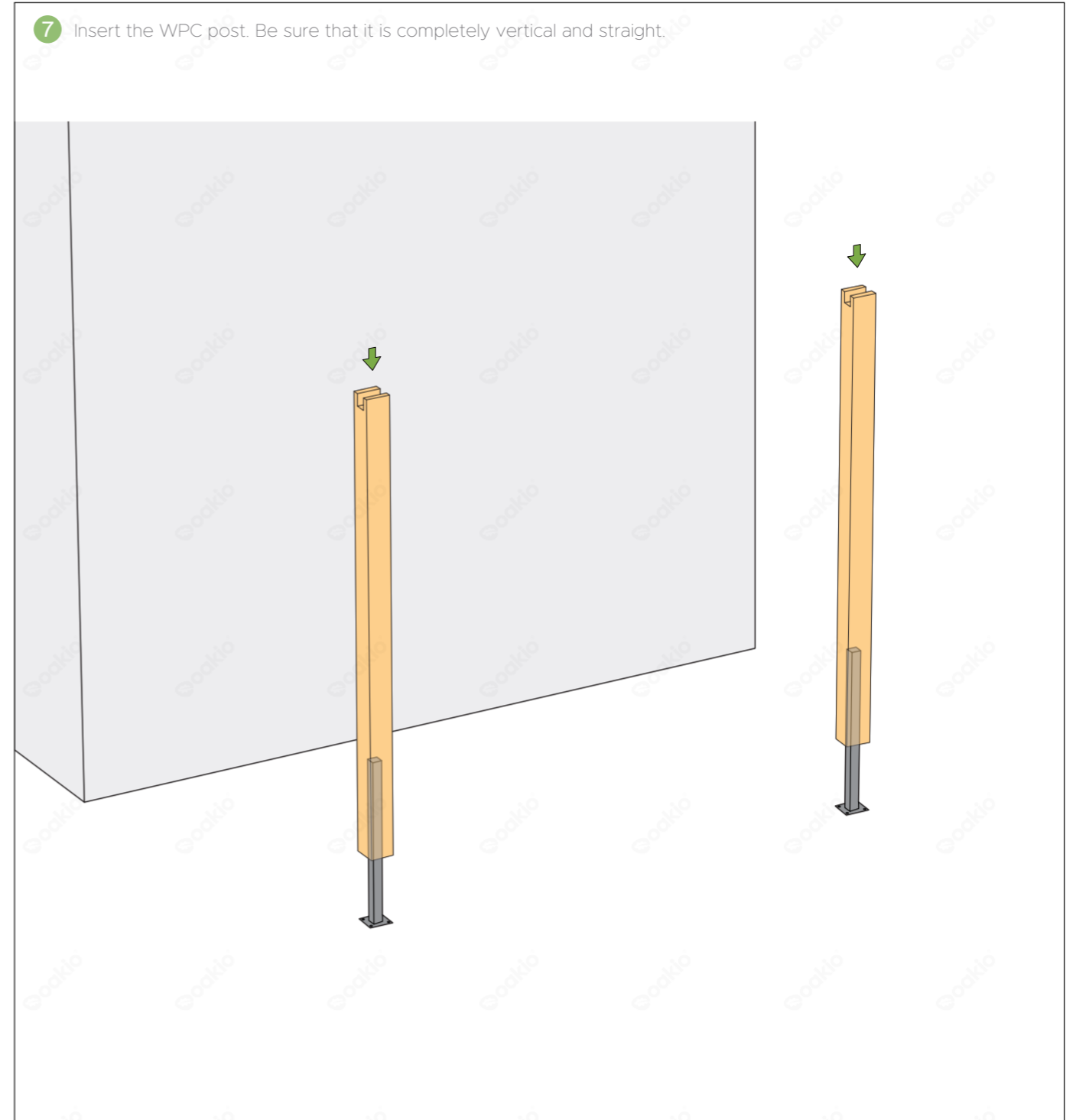
- 6 Take a spanner to tighten the nut of the expansion screw.



Oakio Pergola Installation Instructions

To get latest information,
please visit our website: www.oakio.com

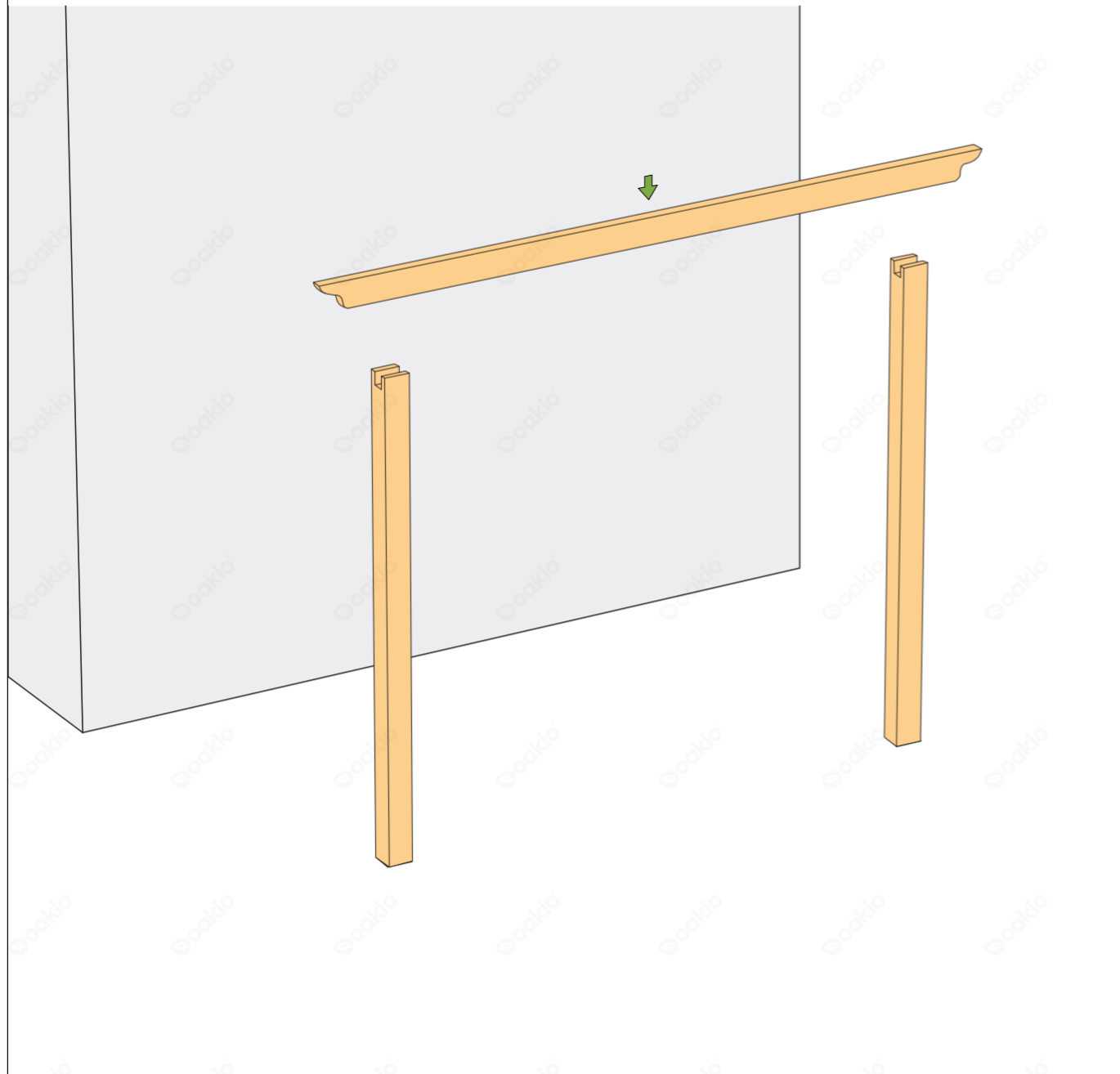
- 7 Insert the WPC post. Be sure that it is completely vertical and straight.



Oakio Pergola Installation Instructions

To get latest information,
please visit our website: www.oakio.com

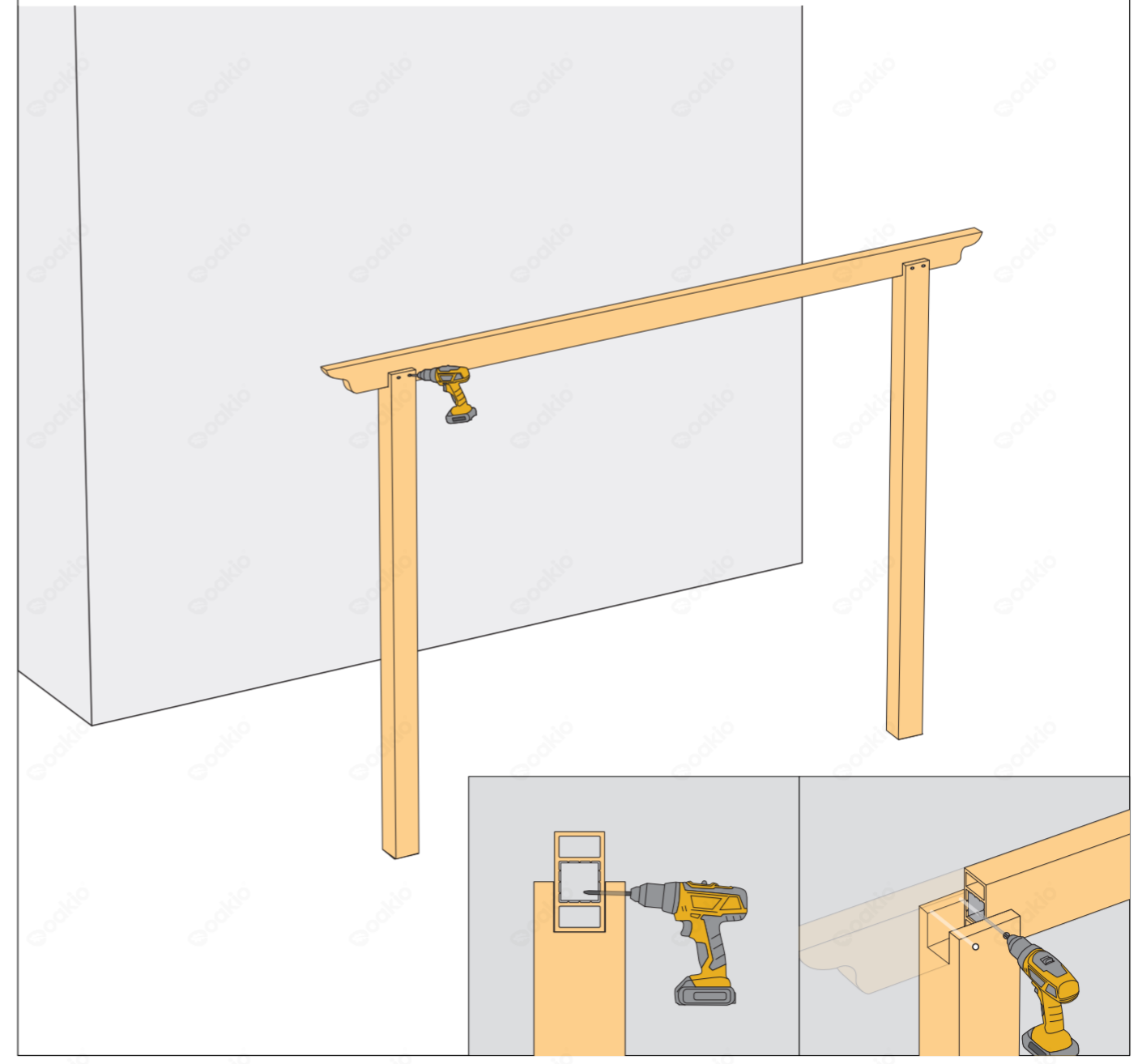
- 8 Insert the beam into the slot at the top of the post. Adjust the position of the beam so that both ends are 35cm exceed the bottom two posts.



Oakio Pergola Installation Instructions

To get latest information,
please visit our website: www.oakio.com

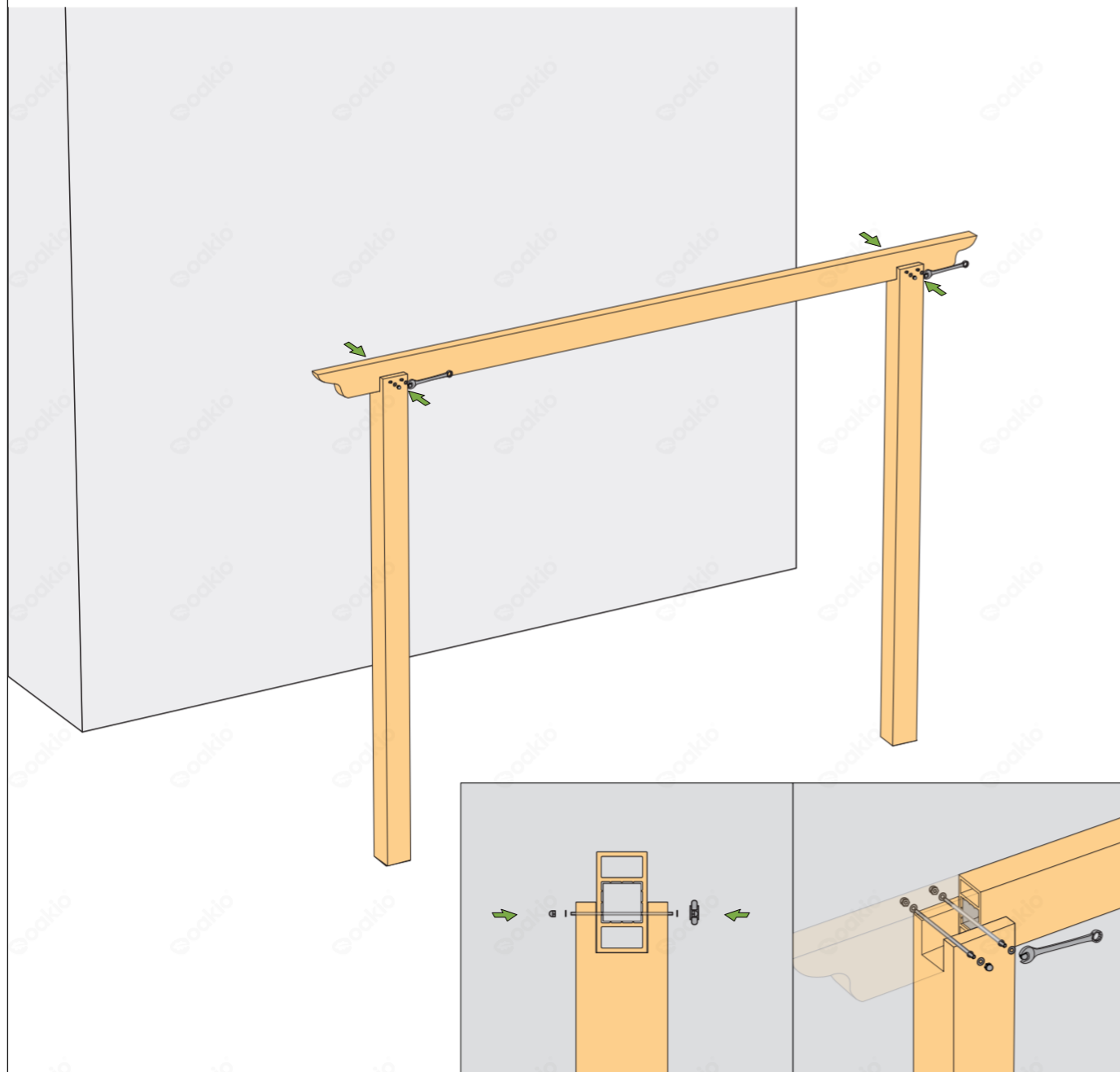
- 9 Drill two holes 2-4cm from the top of the post. These two holes need to go through the post, the beam, and the steel in the center of the beam at the same time.



Oakio Pergola Installation Instructions

To get latest information,
please visit our website: www.oakio.com

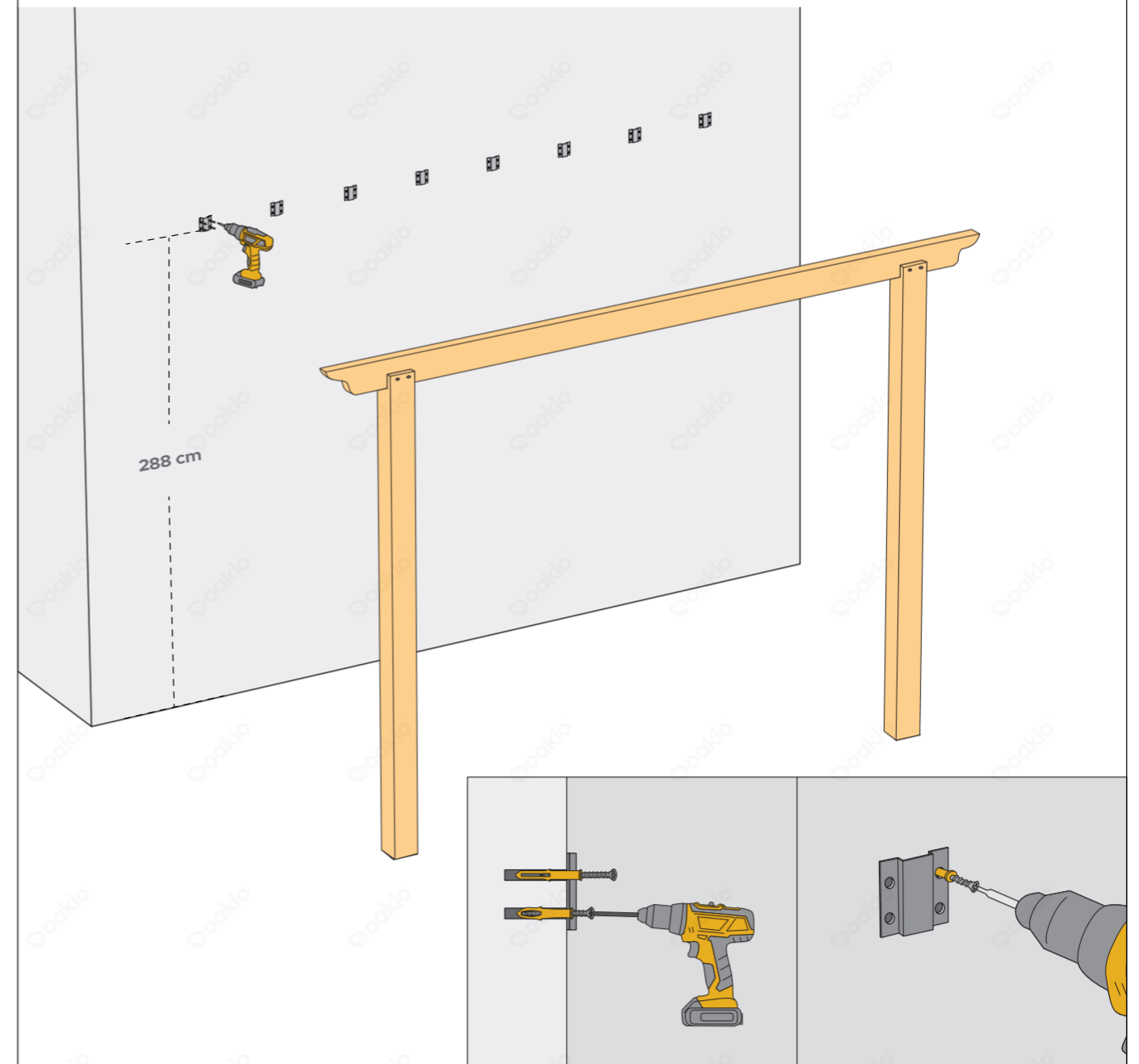
- 10 Thread the two piercing bolts through the two holes in the post to secure the post and beam.



Oakio Pergola Installation Instructions

To get latest information,
please visit our website: www.oakio.com

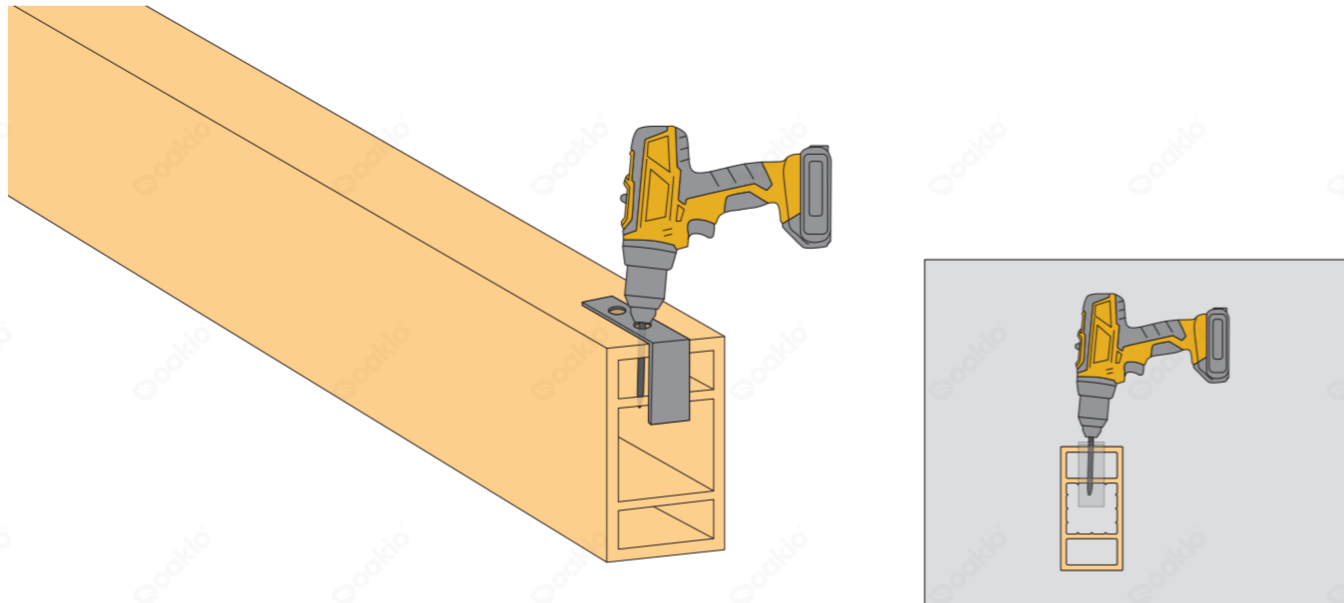
- 11 Fix the sheet clip on the wall with expansion screw, and ensure that the top of the L-clip is **288cm** from the ground.



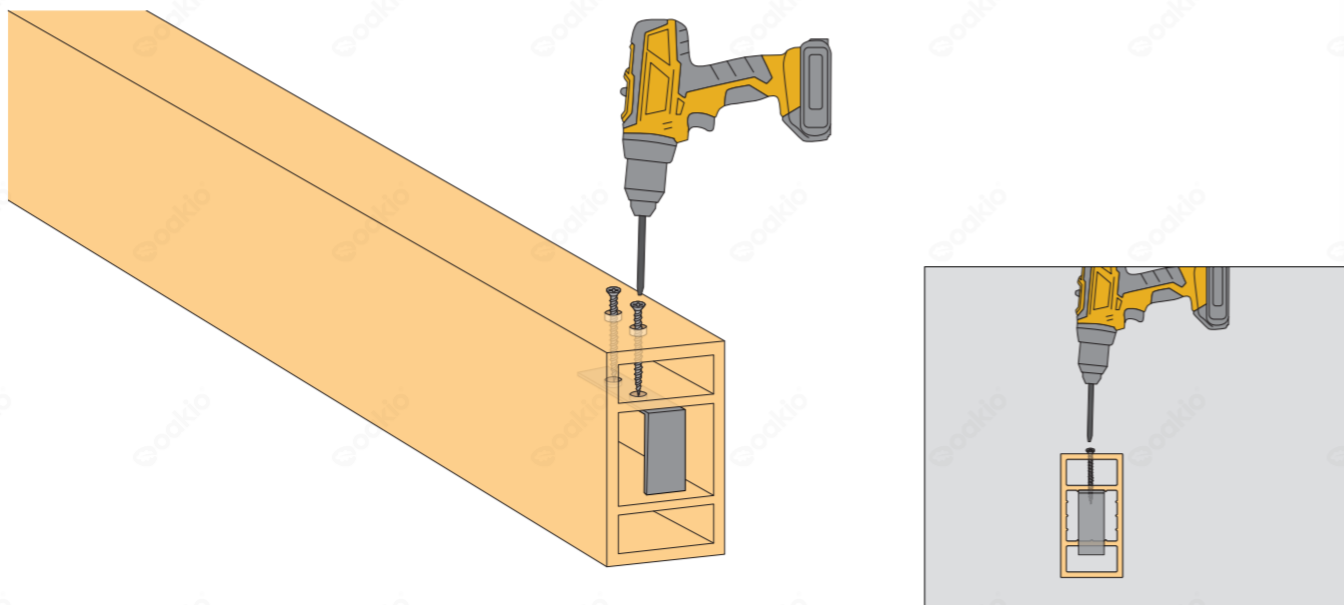
Oakio Pergola Installation Instructions

To get latest information,
please visit our website: www.oakio.com

12 Place the L-clip on top of the blade, mark the location of the clip hole and pre-drill it. The pre-drilled



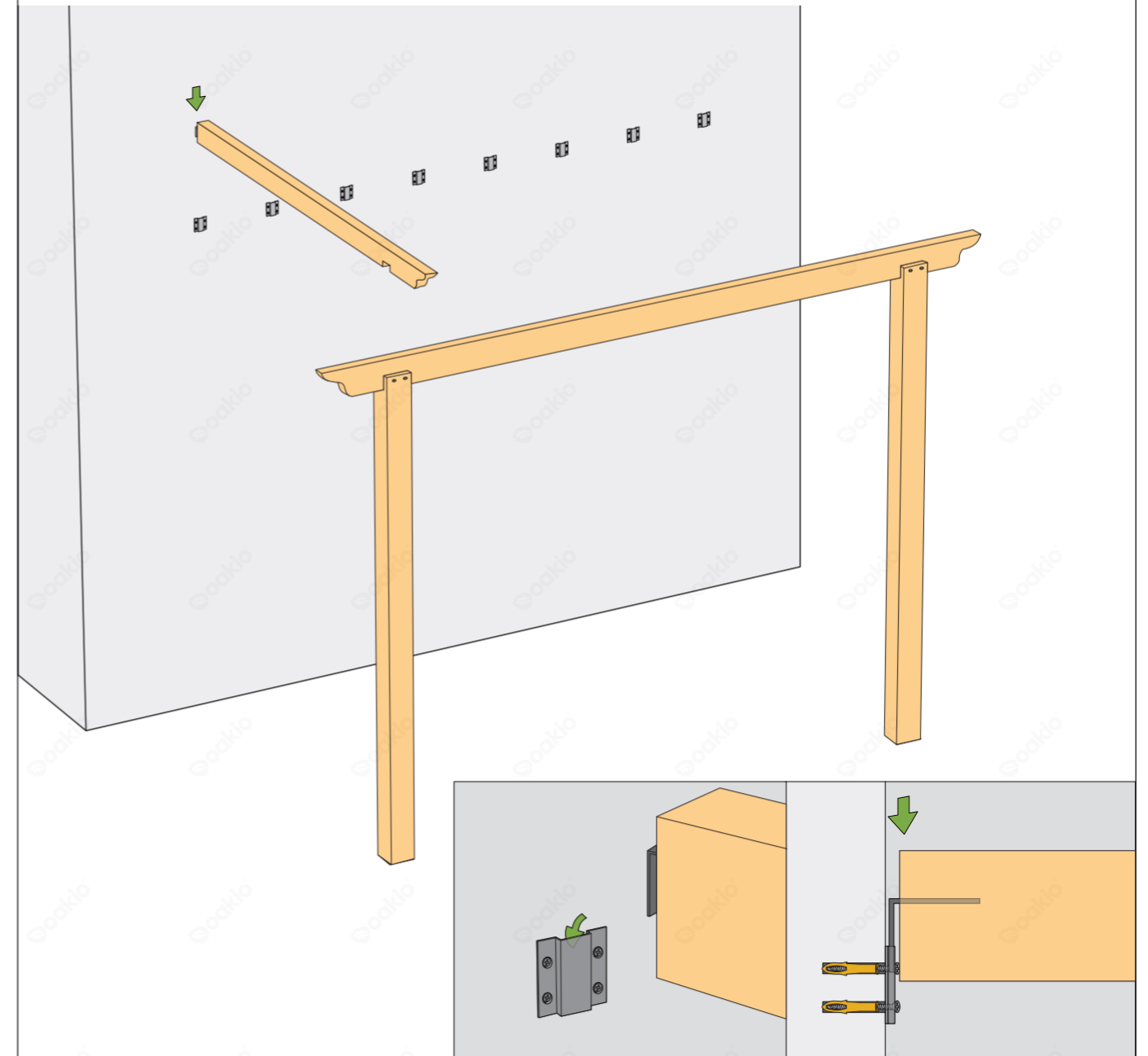
13 Screw the L-clip to the top of the steel hole in the blade.



Oakio Pergola Installation Instructions

To get latest information,
please visit our website: www.oakio.com

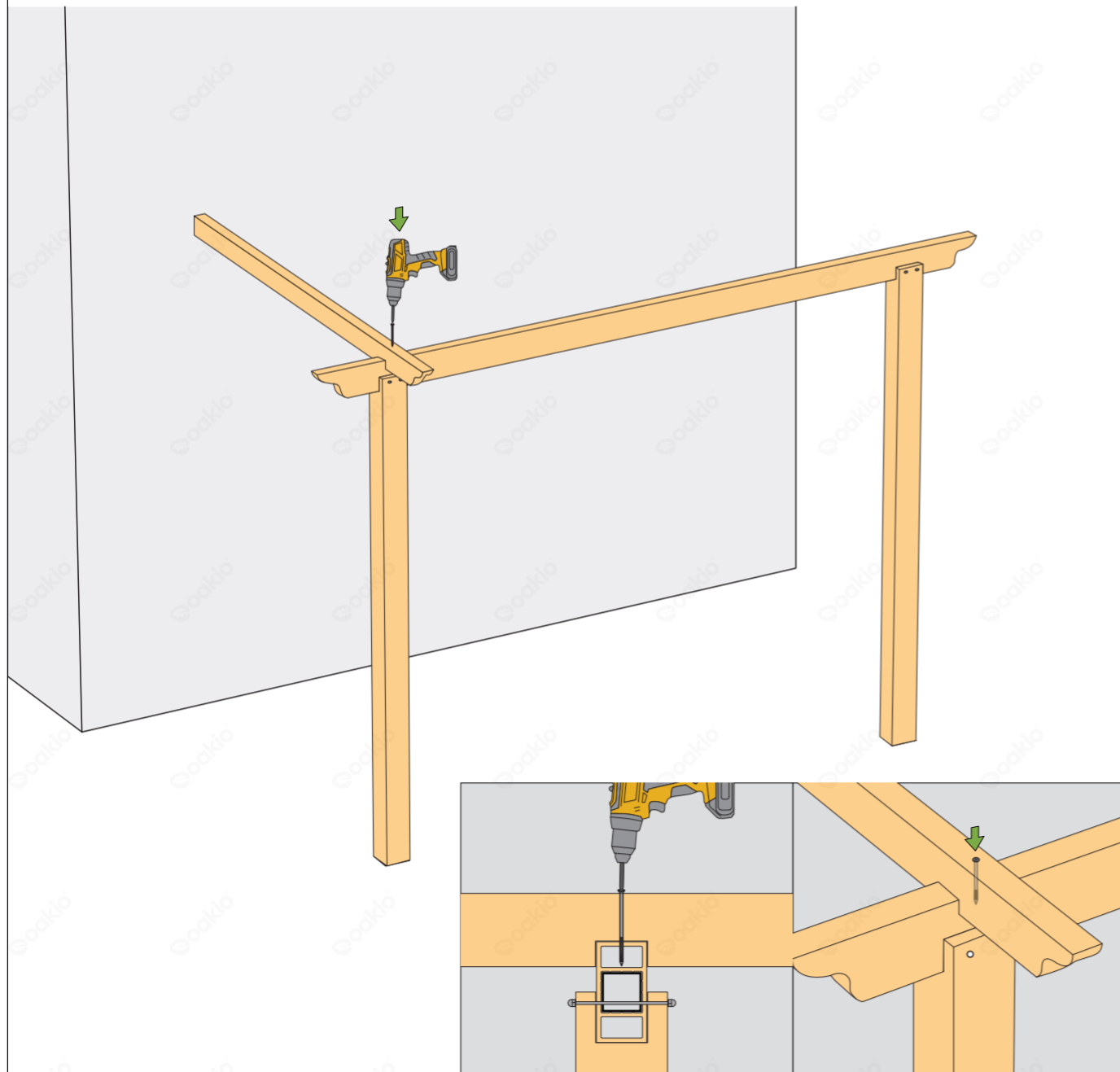
14 Snap the L-clip into the sheet clip and complete the connections between wall and blade.



Oakio Pergola Installation Instructions

To get latest information,
please visit our website: www.oakio.com

- 15 Place the self drilling screw in the center of the blade slot. Drill it into the blade and beam with a power drill.



Oakio Pergola Installation Instructions

To get latest information,
please visit our website: www.oakio.com

- 16 Repeat steps 13 and 15 to complete the installation of other blades. The spacing between each blade is 38cm.

