

Composite Timber Pergolas



Composite Timber Pergolas

Not just focus on the design, we also lay stress on the quality of Armstrong pergola. compared with other pergola on the market, Armstrong pergola is made of glass fiber, which makes the pergola stronger and more durable than normal. The worries about the splinter and colour fading are unnecessary. Low maintenance, high performance and eco-friendly ease your burden.



No painting or staining



UV resistant



Colour stable



Minimal maintenance



Does not splinter



Long life span



Eco friendly



Pergola Application

Armstrong Pergola are not just limited in previous 3 traditional types of shape. According to the request from our customers, we also offer unique design of pergola.

- Beach Areas
- Hotel Buildings
- Hotel Gardens
- Roof Gardens
- Theme Parks
- Villa Complex
- Parking Areas



Performance Comparison Of Products

Excellent in uv resistant and cracking resistant, no splinter and no rotting , Armstrong pergola has high-performance with special reinforcer .

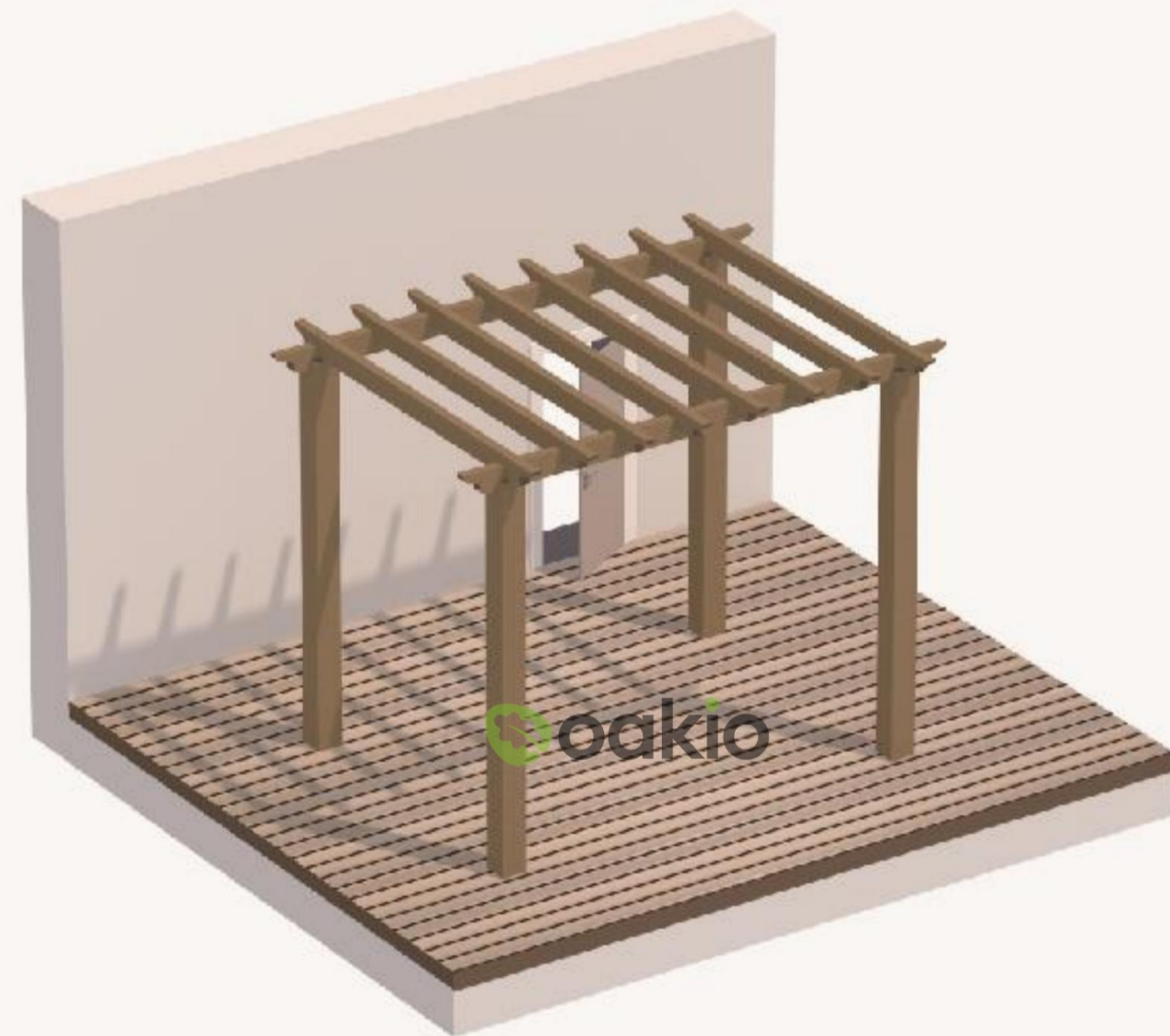
| Item | Bending failure load (N) | Bending strength (MPa) | Impact-resistance (KJ/M2) | Distortion temperature (°C) |
|-------------------|--------------------------|------------------------|---------------------------|-----------------------------|
| Common WPC | 2500-3000 | 22-25 | 4.5-8 | 60-70 |
| Armstrong Pergola | 5000-6500 | 45-55 | 15-22 | 95-110 |

| Item | Expansion rate (*10 ⁻⁵ K ⁻¹) | Creep recovery rate (%) | 24h water absorption (%) | Fastener Holding test (N) |
|-------------------|---|-------------------------|--------------------------|---------------------------|
| Common WPC | 5.5-12 | 75 | 0.8-1.2 | 2000-2500 |
| Armstrong Pergola | 3-5.5 | 85 | 0.6 | 3800-4500 |

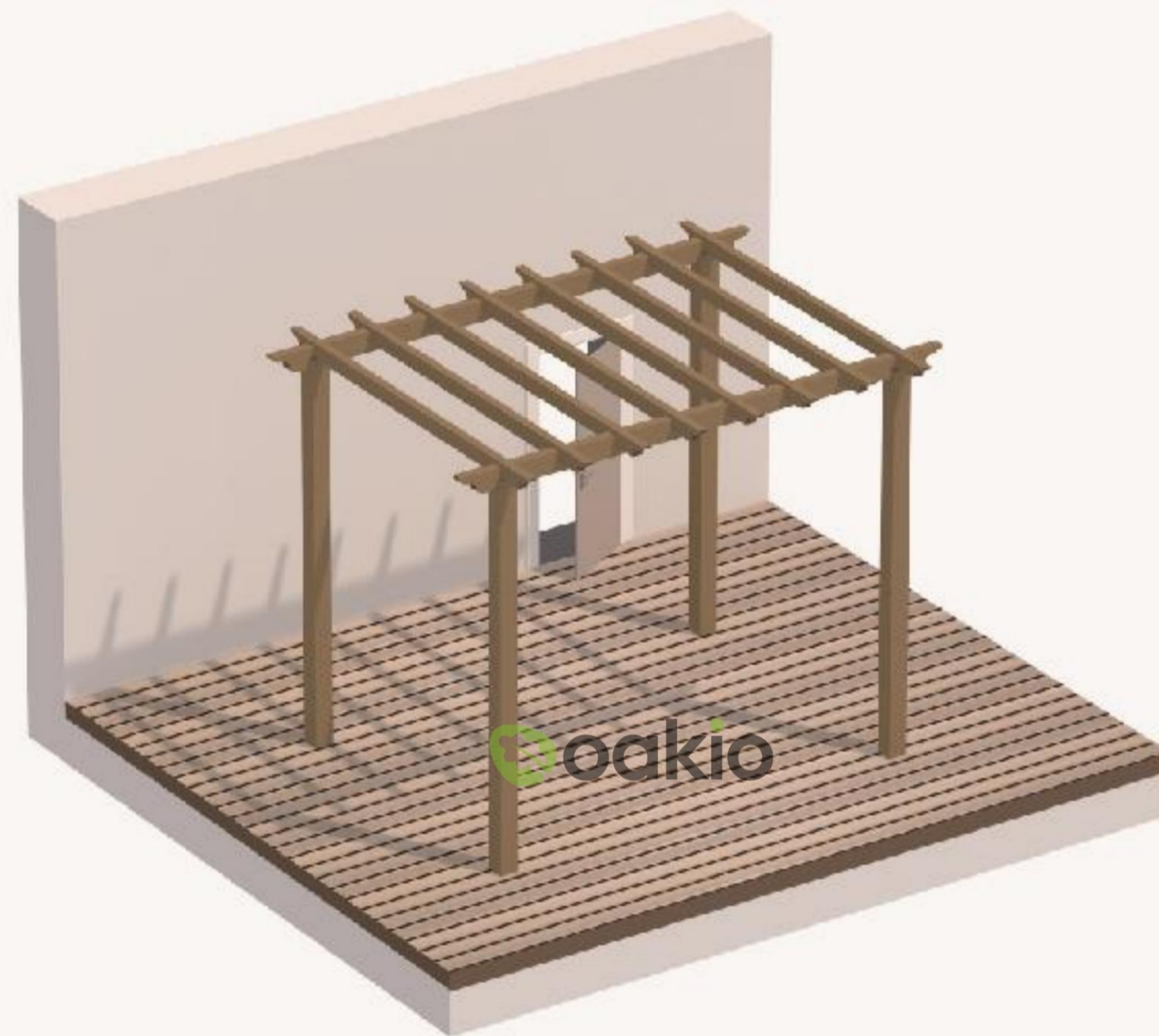
Faster Using Difference



Veranda



Length: 3m
Width: 4m
Height: 3m
Column: 200mmx200mm
Upper roof Slat: 160mmx80mm
Transverse beam: 180mmx80mm



Length: 3m
Width: 4m
Height: 3m
Column: 150mmx150mm
Upper roof Slat: 120mmx70mm
Transverse beam: 160mmx80mm

Pergola Collection Veranda

Optional style:



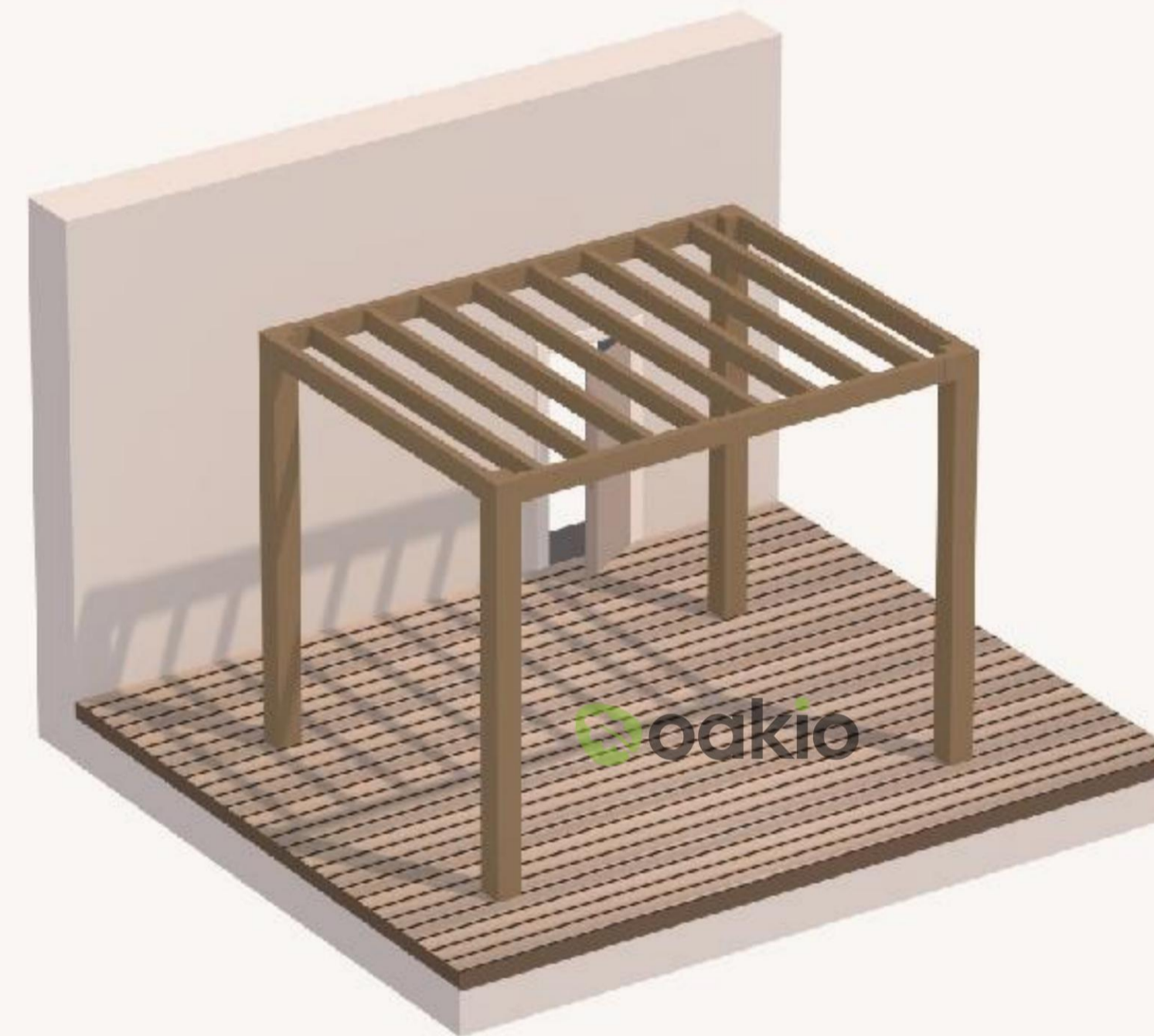
Colour



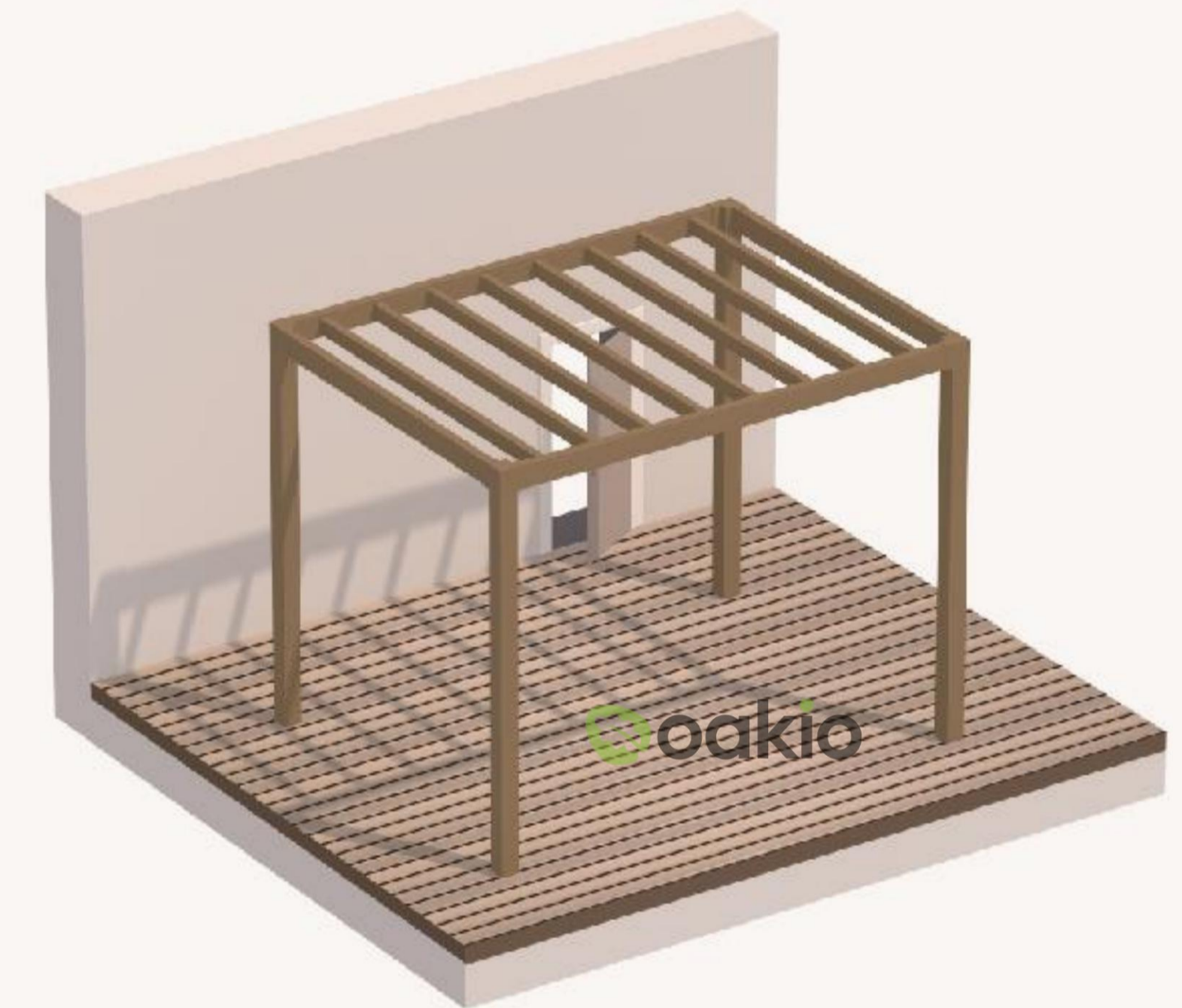
Pergola Collection Cabanas



Cabanas

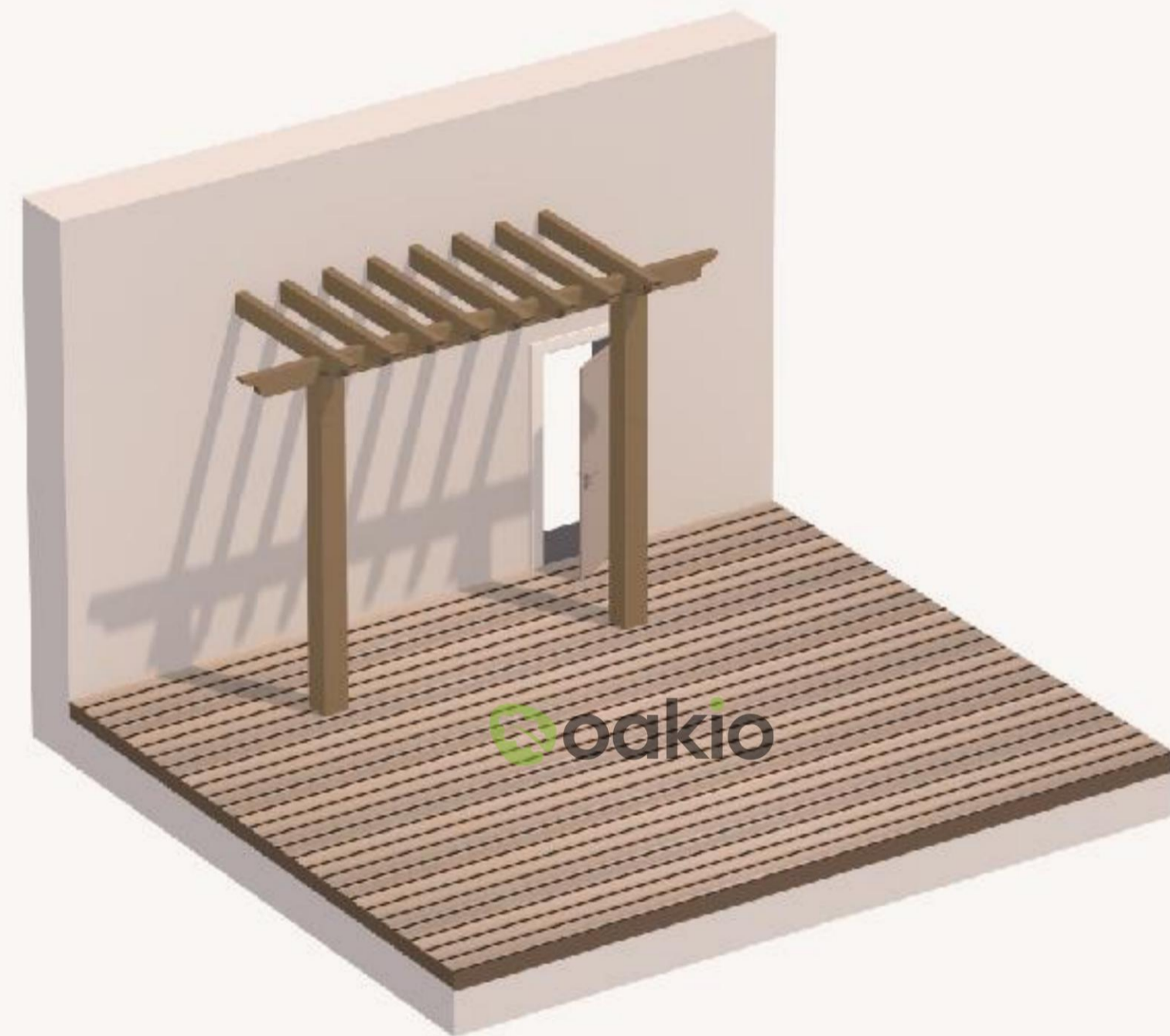


Length: 3m
Width: 4m
Height: 3m
Column: 200mmx200mm
Upper roof Slat: 160mmx80mm
Transverse beam: 180mmx80mm



Length: 3m
Width: 4m
Height: 3m
Column: 150mmx150mm
Upper roof Slat: 120mmx70mm
Transverse beam: 160mmx80mm

Wall mounted



Length: 3.2m
Width: 1.5m
Height: 3m
Column: 200mmx200mm
Upper roof Slat: 160mmx80mm
Transverse beam: 180mmx80mm



Length: 3.2m
Width: 1.5m
Height: 3m
Column: 150mmx150mm
Upper roof Slat: 120mmx70mm
Transverse beam: 160mmx80mm

Pergola Collection Wall mounted

Optional style:



APP02



APP03



APP04



APP05

Colour



IC01

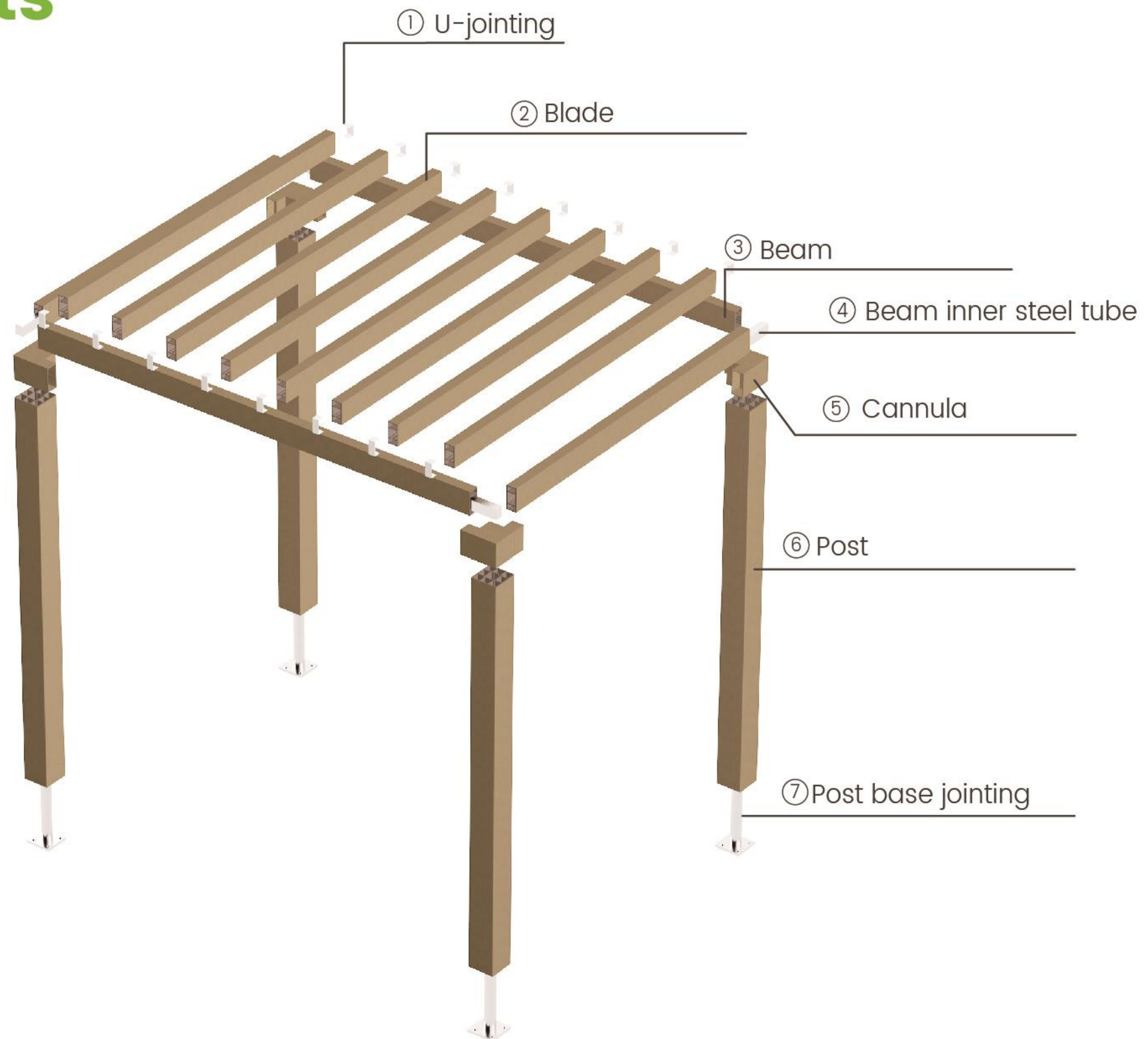


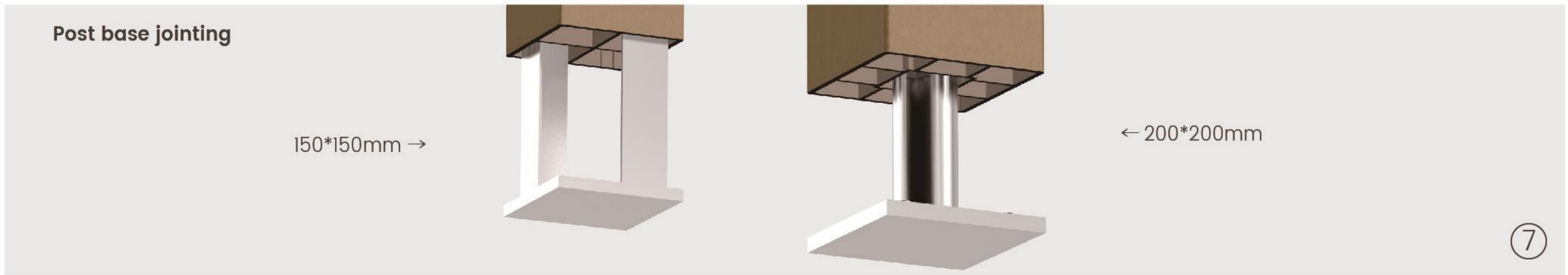
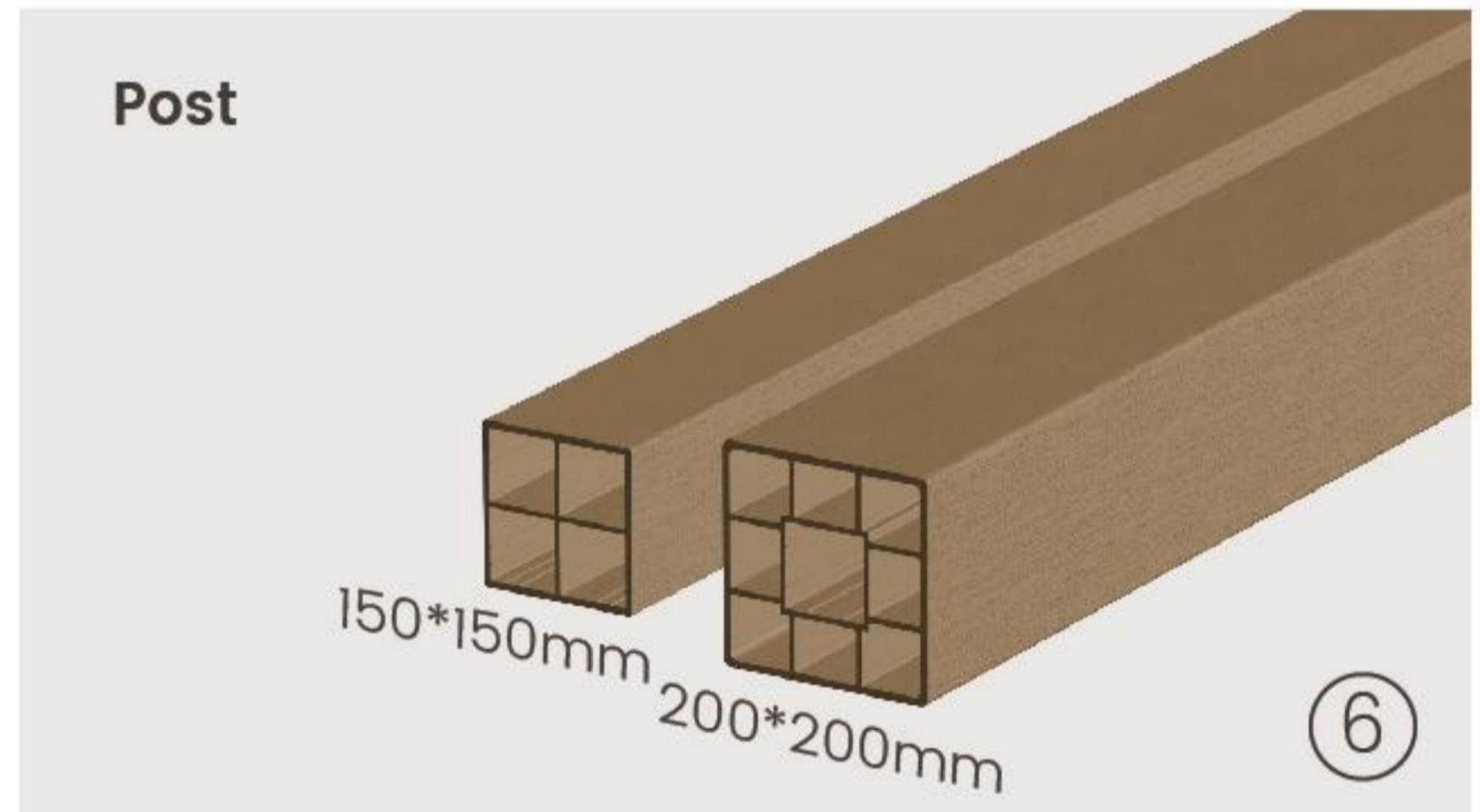
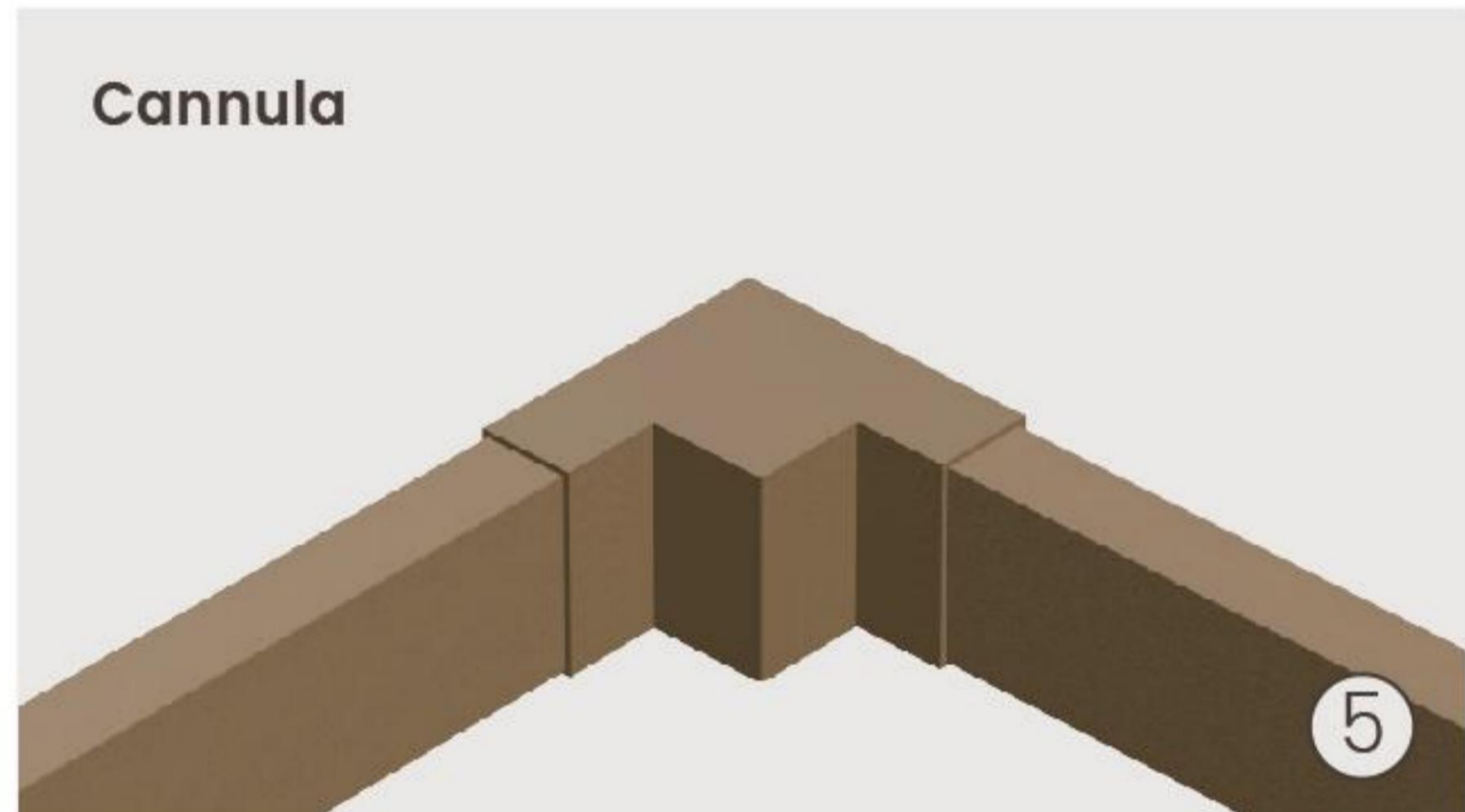
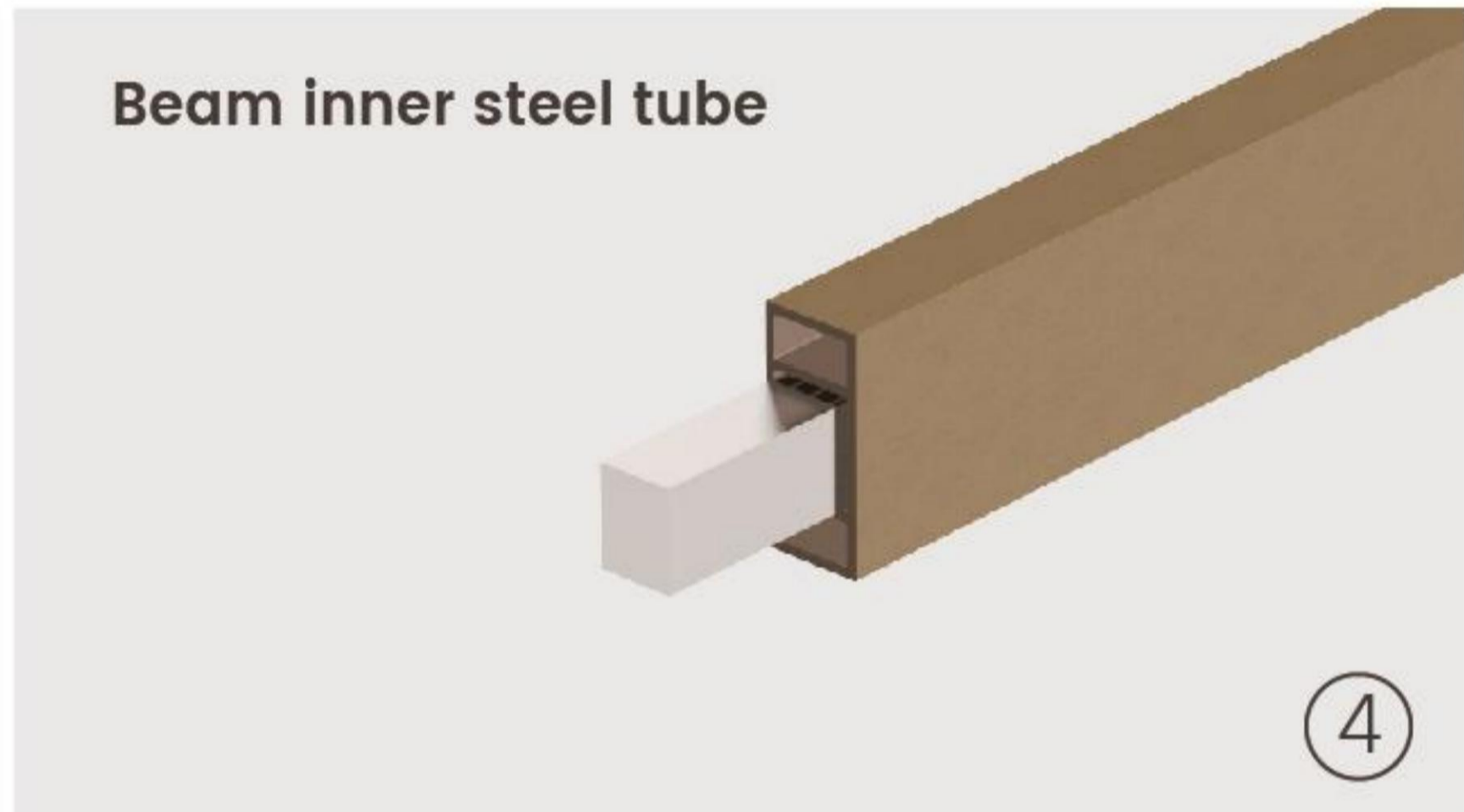
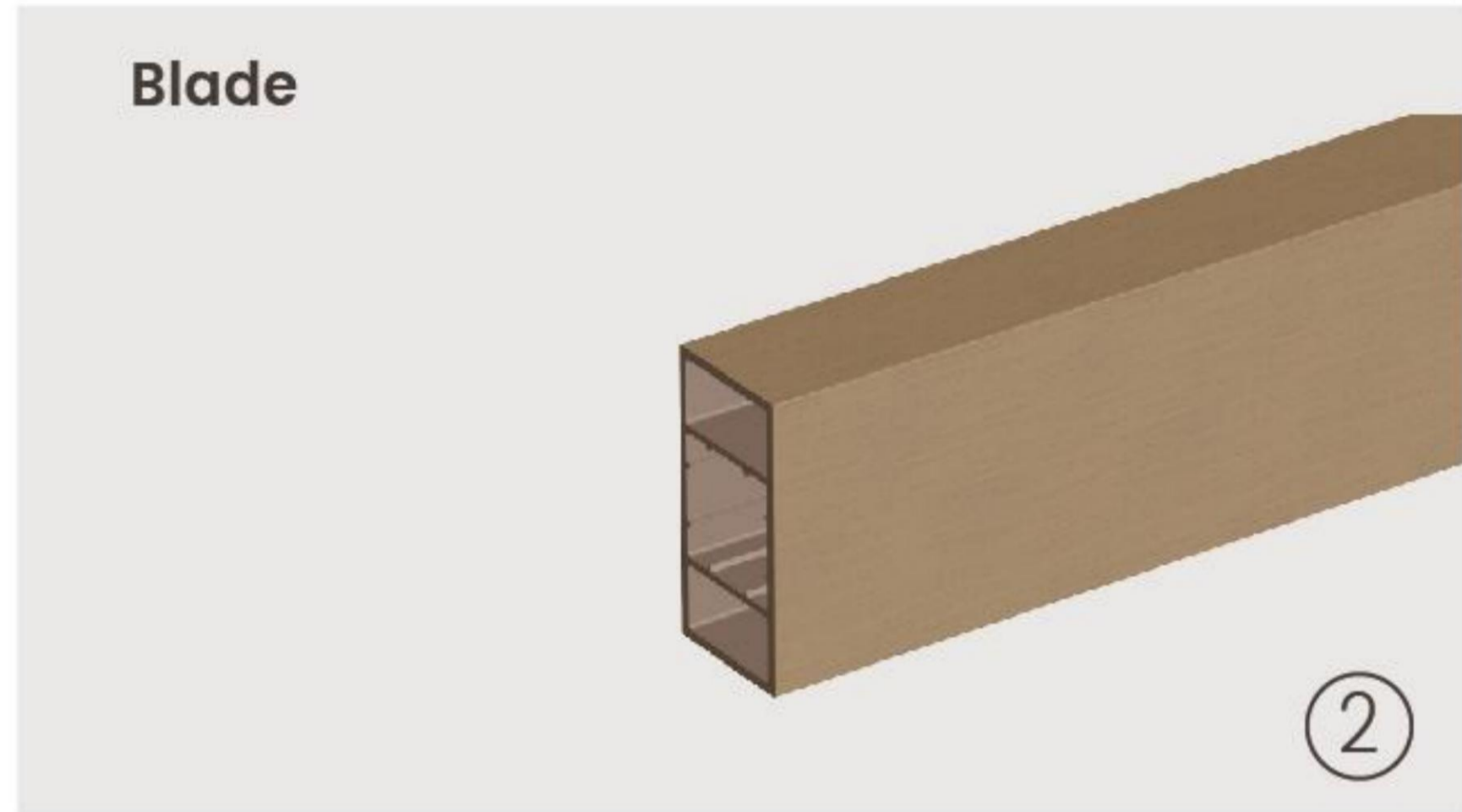
IC02



IC013

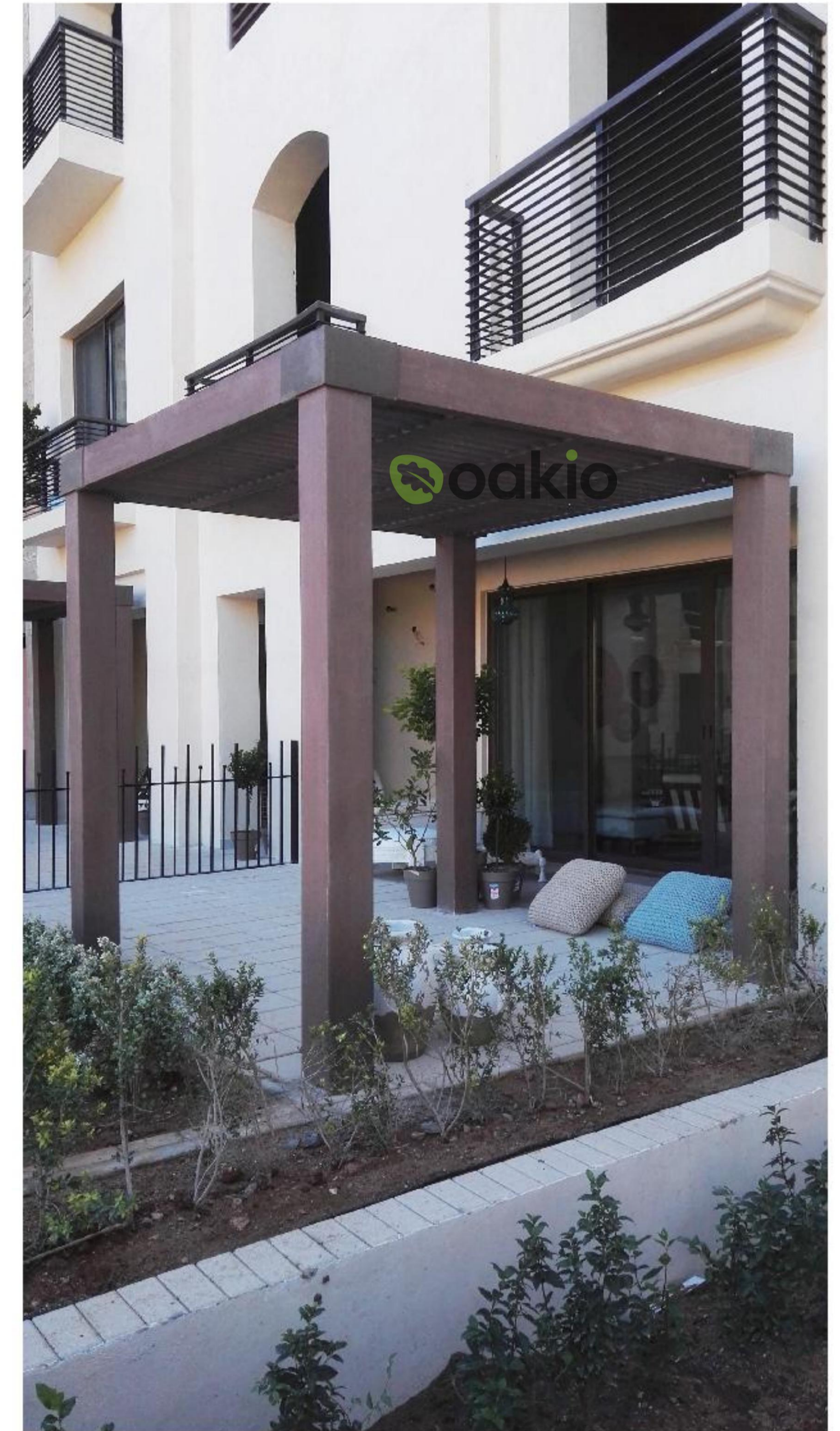
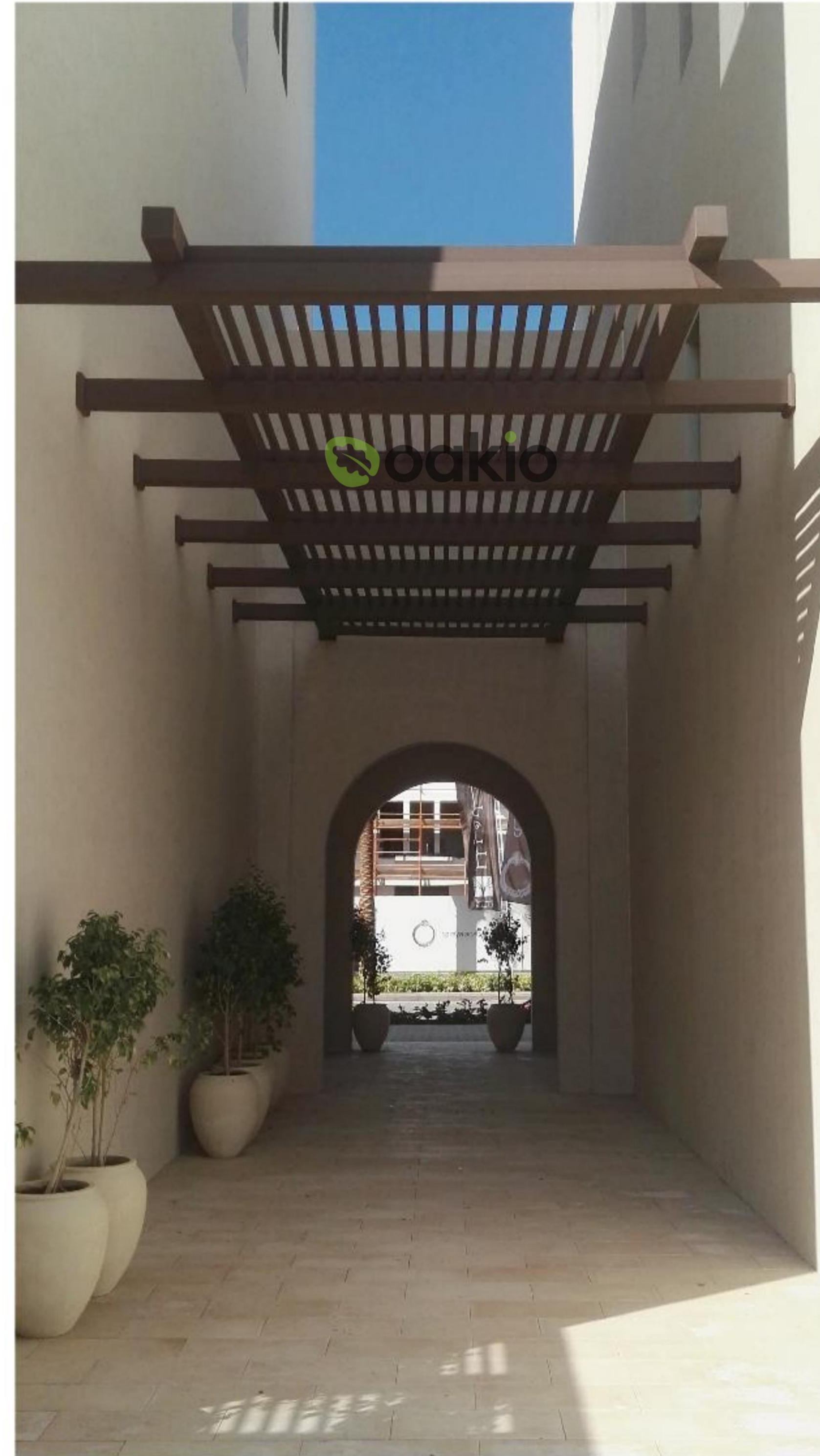
Components Of Pergola

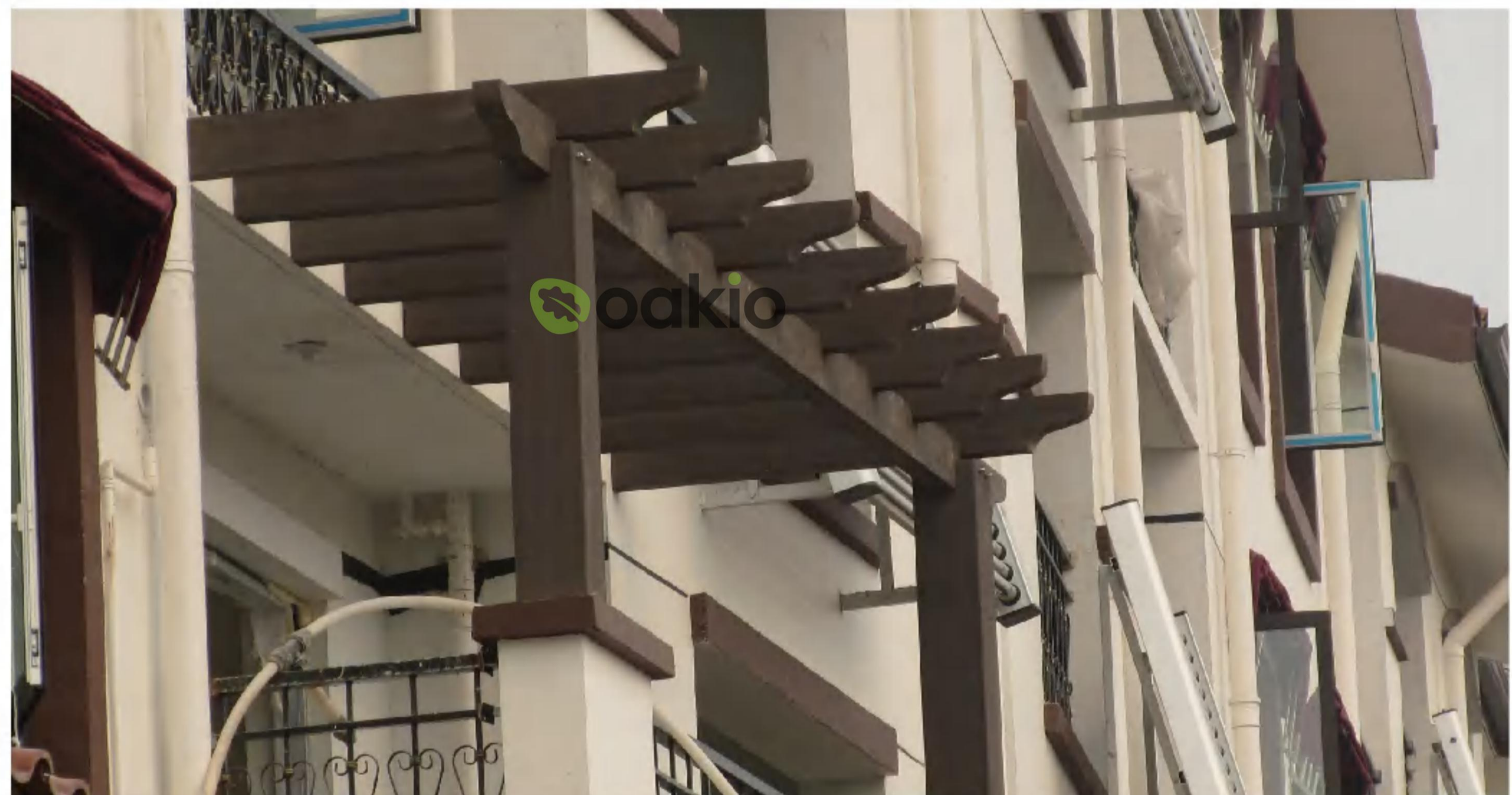




Flexible Collection Design

Armstrong can be used in various environment.
Simple installation, durable performance, which is
your best choice.







Tel: +86 (752) 2222-845
Mobile: +86-138-2996-1268



Monday - Saturday
08:30-18:00



<https://www.oakio.com>
E-mail: info@oakio.com
Contact us at any time